

*Your proven answer
to soundproof ventilation
in noise affected buildings.*



Interior Face Plate with Adjustable Louvre

Product Code: 30-01-03



Best new product
DesignBuild Australasia



Top 10 Eco Product in the USA
Sustainable Building Magazines



Silver Medal
International Salon des Inventions.
Geneve, Switzerland

Information

The interior faceplate is designed to be surface mounted on either plasterboard or cement render with concealed plug and fixings.

The cover plate can be removed when required for activities such as wall painting.

It is designed to be installed in either a vertical or horizontal format, depending on how the Silenceair acoustic ventilator has been installed.

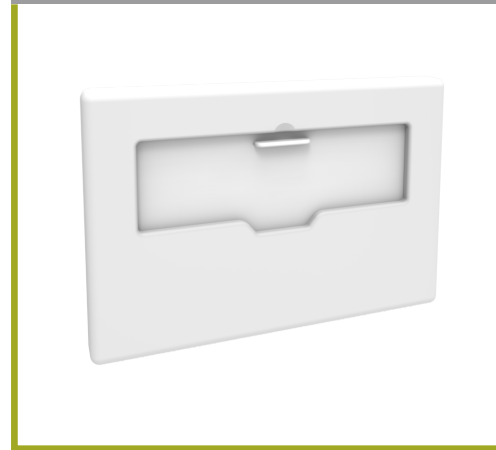
The adjustable louvre is designed to be set in a number of positions from fully open to fully closed, depending on the desired flow.

It is made from recyclable ABS plastic and has added fire and smoke retardant and UV stabilisers. It contains recycled materials.

Open



Closed

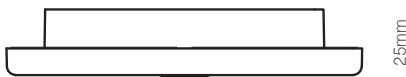


Product Code

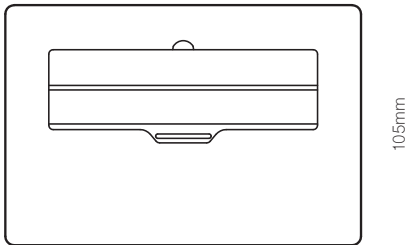
Adjustable Louvres

30-01-03: White

Dimensions



TOP VIEW



FRONT VIEW

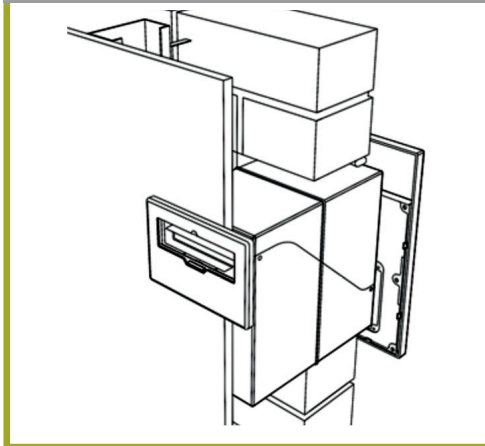
Open Vent Area 5,200mm²

Weight 0.1kg

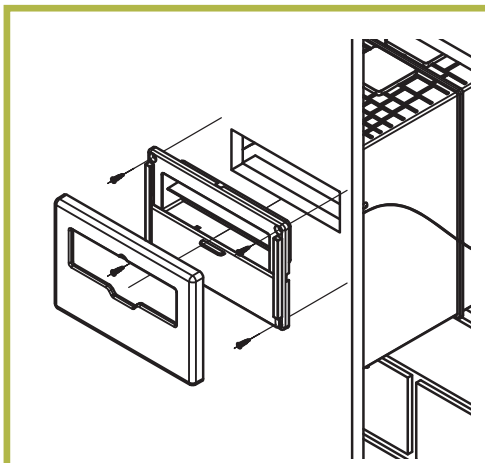
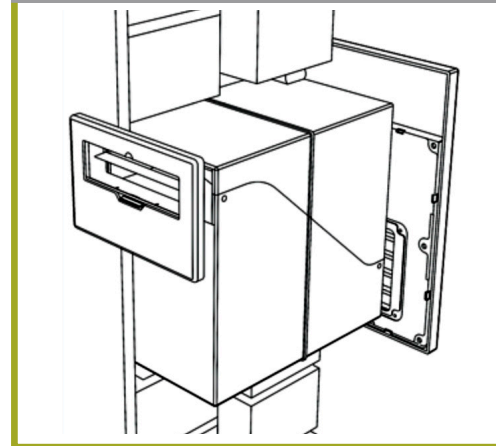
Material Recyclable ABS



Brick Veneer Installation Image



Brick Cavity Installation Image



The Interior Face Plate with Adjustable louvre is designed to install in the same way as a light switch. A backing plate is fixed to the wall by either screws or adhesive. Once the painting of the wall is complete, then the cover plate can be simply snap fitted into place. The size and style of the louvre is intended to maintain the same design language as the power points and the light switches. Alternate cover plate finishes can be supplied to order.

For more information please contact

www.silenceair.com enquiries@silenceair.com +61 2 9555 7215

Patents and Patents Pending Silenceair is a registered trademark of silenceair International Pty Limited