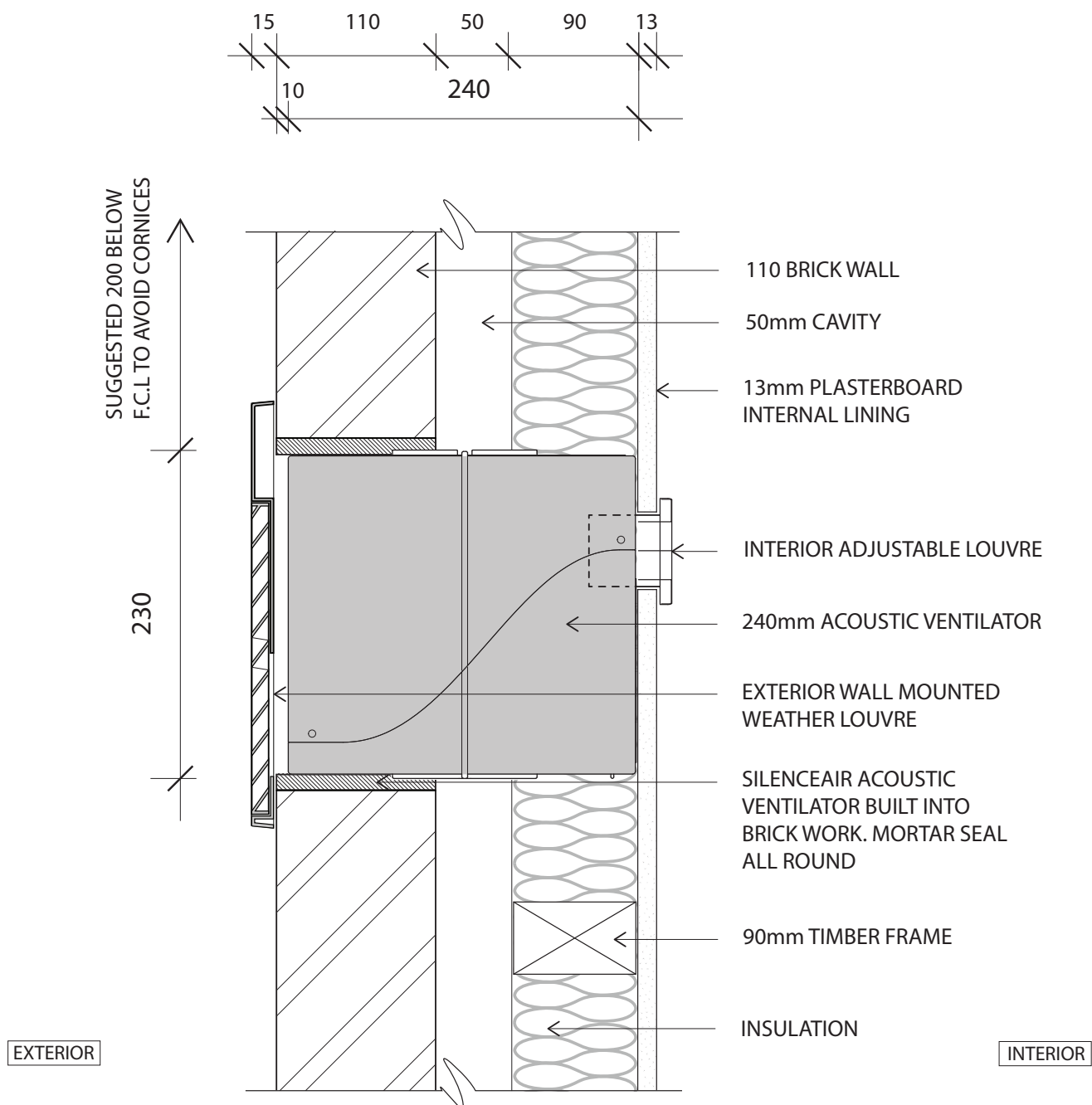
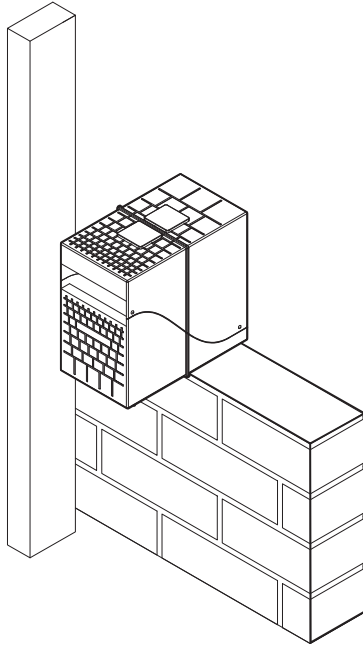


**240mm Acoustic Wall Ventilator  
 Installed in Brick Veneer wall system with 90mm Timber Frame**

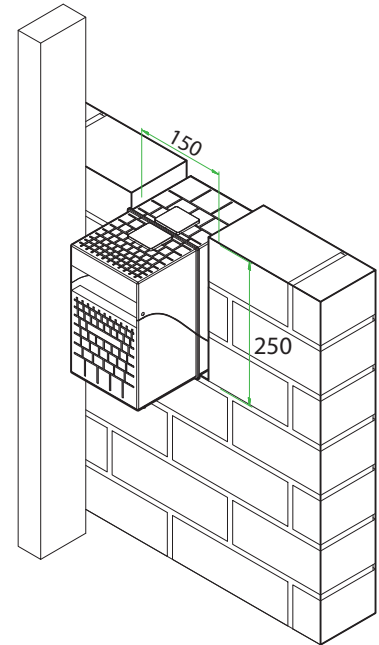


1



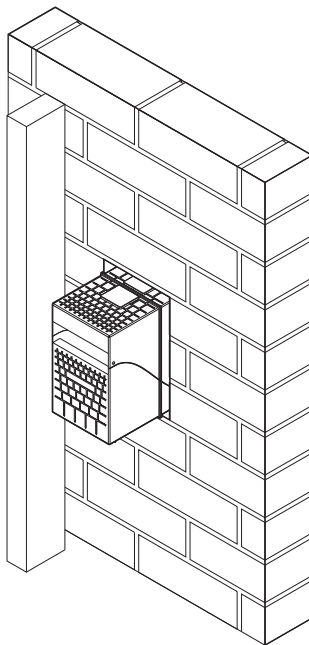
- Locate the Silenceair unit in the selected location as the brick wall is built.
- Ensure the unit is located so the interior face is flush with interior face of the studwork.
- Depending on the width of the cavity, the exterior face of the unit may be slightly recessed behind the exterior face of the brick work.
- This will be covered by the exterior weather louvre.

2



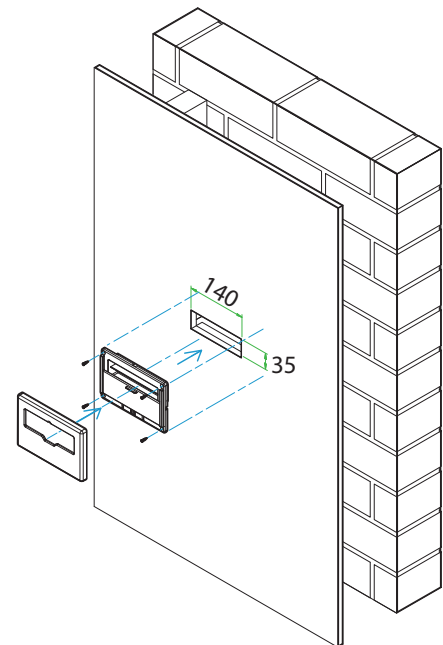
- Brick the unit into place.
- Normal 3 bricks high.
- Ensure there is a good mortar seal all around the unit to prevent noise entering the cavity.

3



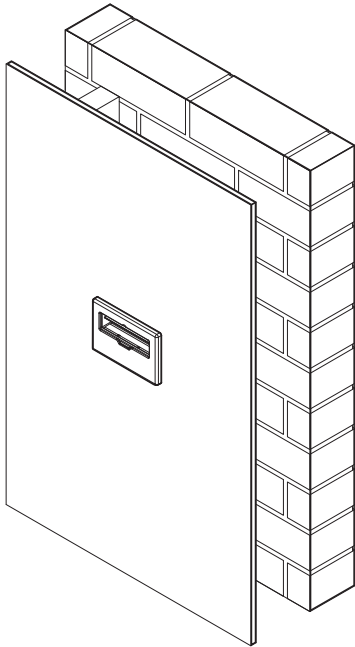
- Allow the unit to set in its' mortar bed in the brick work.

4



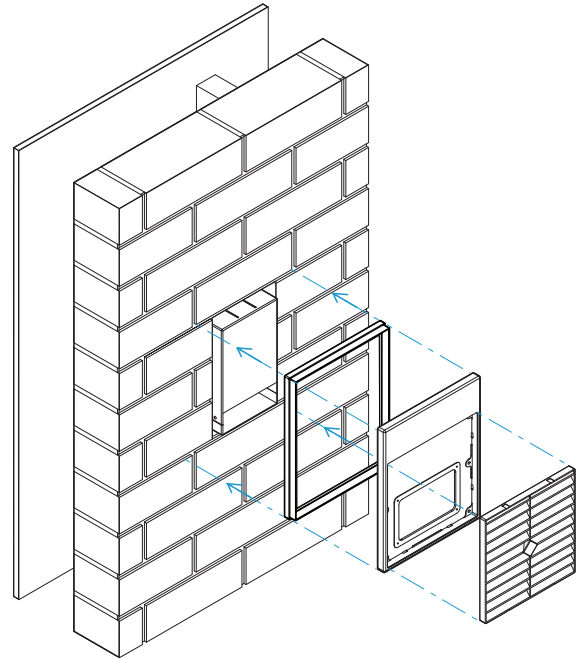
- Fix the internal lining.
- Ensure the location of the interior vent opening is identified before fixing the internal lining.
- Install the interior face plate.
- After painting the wall, the interior cover plate can be fixed into place.

5



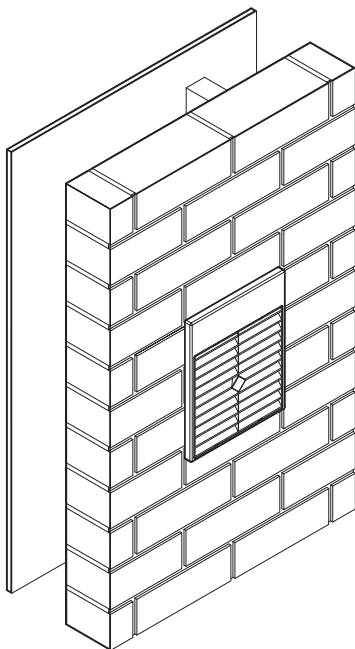
- All that is visible on the interior is the adjustable face plate.
- The Silenceair unit is completely hidden in the wall.

6



- On the outside, fix the exterior weather louvre into place with the integrated insect screen.

7



- All that is visible on the outside is the weather louvre.
- The weather louvres can be colour matched to the brick work.
- Please call us to discuss options and lead times.

## NOTES

- Silenceair reserves the right to modify or reissue technical brochures without notice.
- © 2017 Silenceair International Pty Ltd. ABN 44 096 462 949
- Date of Publication: August 2017.