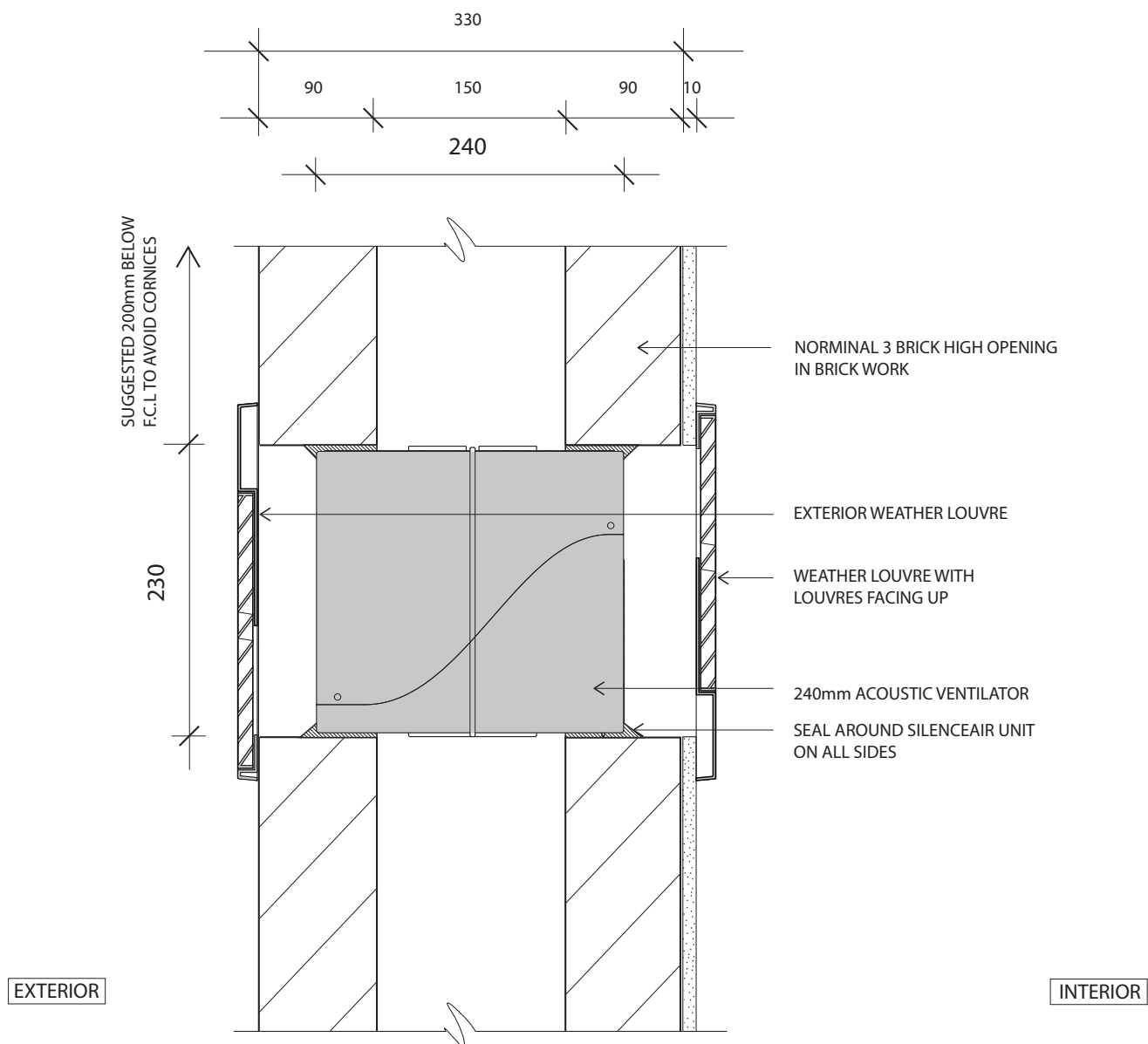
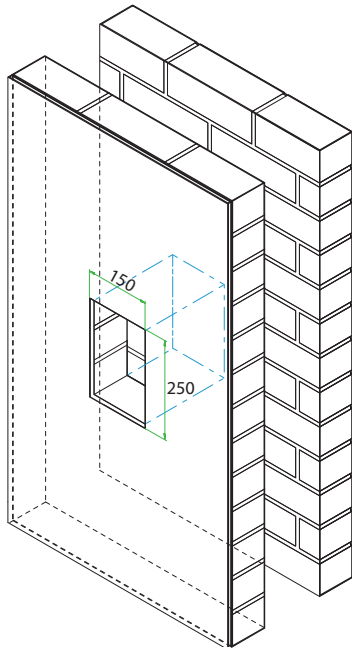


**240mm Acoustic Wall Ventilator
 Retrofitting into a Blockwork Cavity wall system**

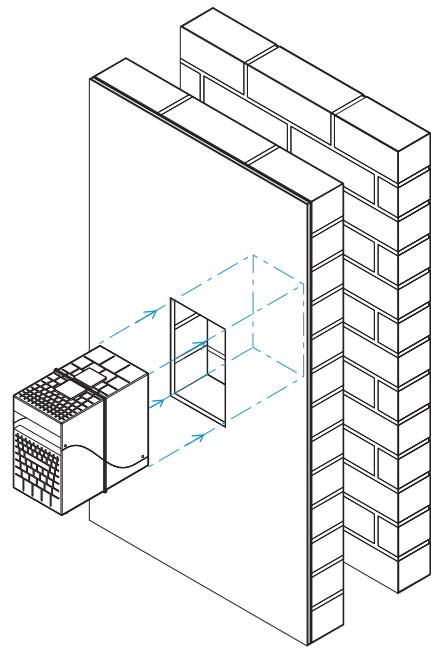


1



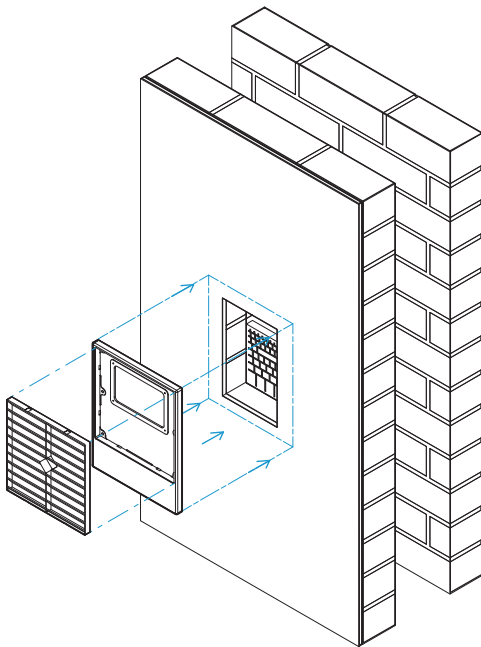
- Identify the preferred location of the Silenceair.
- Cut a hole 3 bricks high and 150mm wide in both faces of brickwork.
- Ensure the holes line up.

2



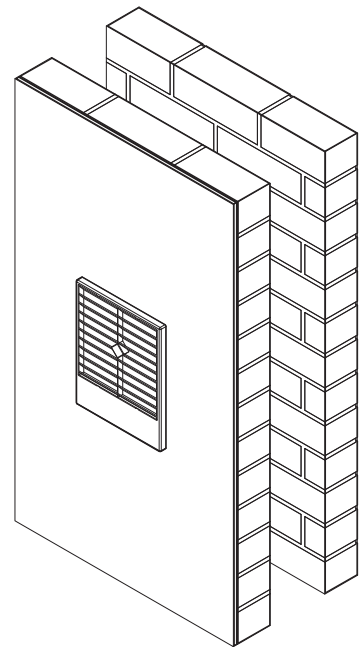
- Insert the Silenceair unit onto place.
- Seal around all sides with mortar or filler to ensure sound does not enter the room.

3



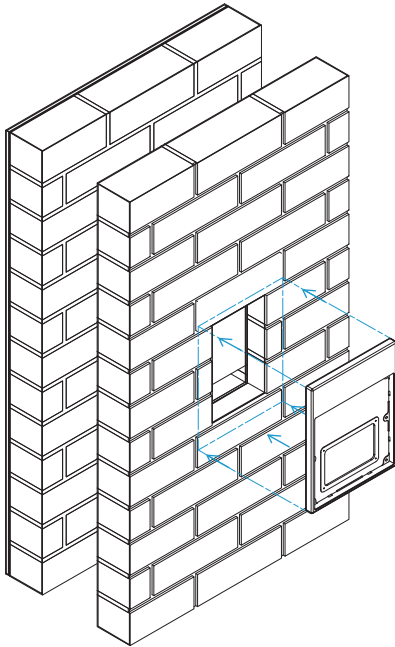
- On the interior wall, set the weather louvre fixing plate into place. And the snap fit the half chevron louvre plate into place.
- Ensure the louvres are pointing up.

4



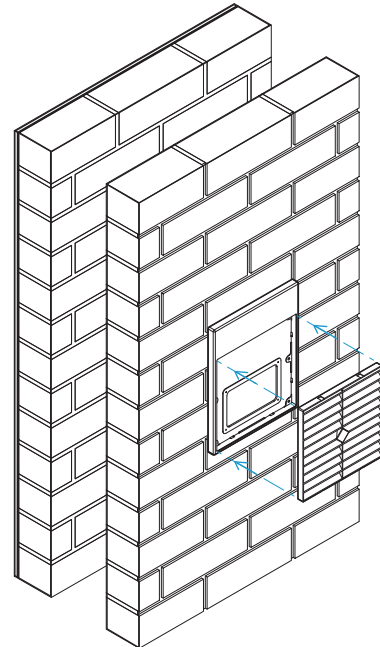
- This will reduce the visibility of the vent from inside the room.

5



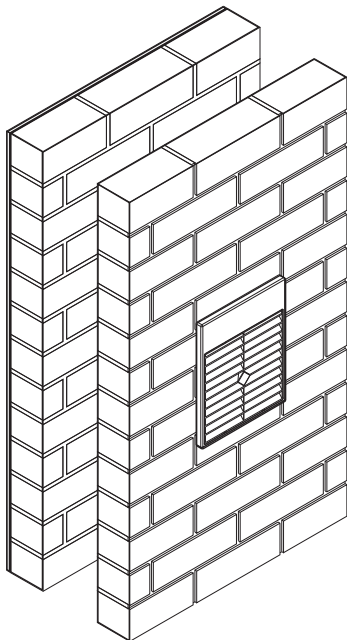
- On the exterior face of the wall, fit the exterior weather louvre fixing plate into place.

6



- Ensure the integrated fly screen has been put in place.
- Snap fit the half chevron weather louvre into place.
- Ensure the louvres are facing down.

7



- All that is visible on the outside is the weather louvre.
- The weather louvres can be colour matched to the brick work.
- Please call us to discuss options and lead times.

NOTES

- Silenceair reserves the right to modify or reissue technical brochures without notice.
- © 2017 Silenceair International Pty Ltd.
ABN 44 096 462 949
- Date of Publication: August 2017.