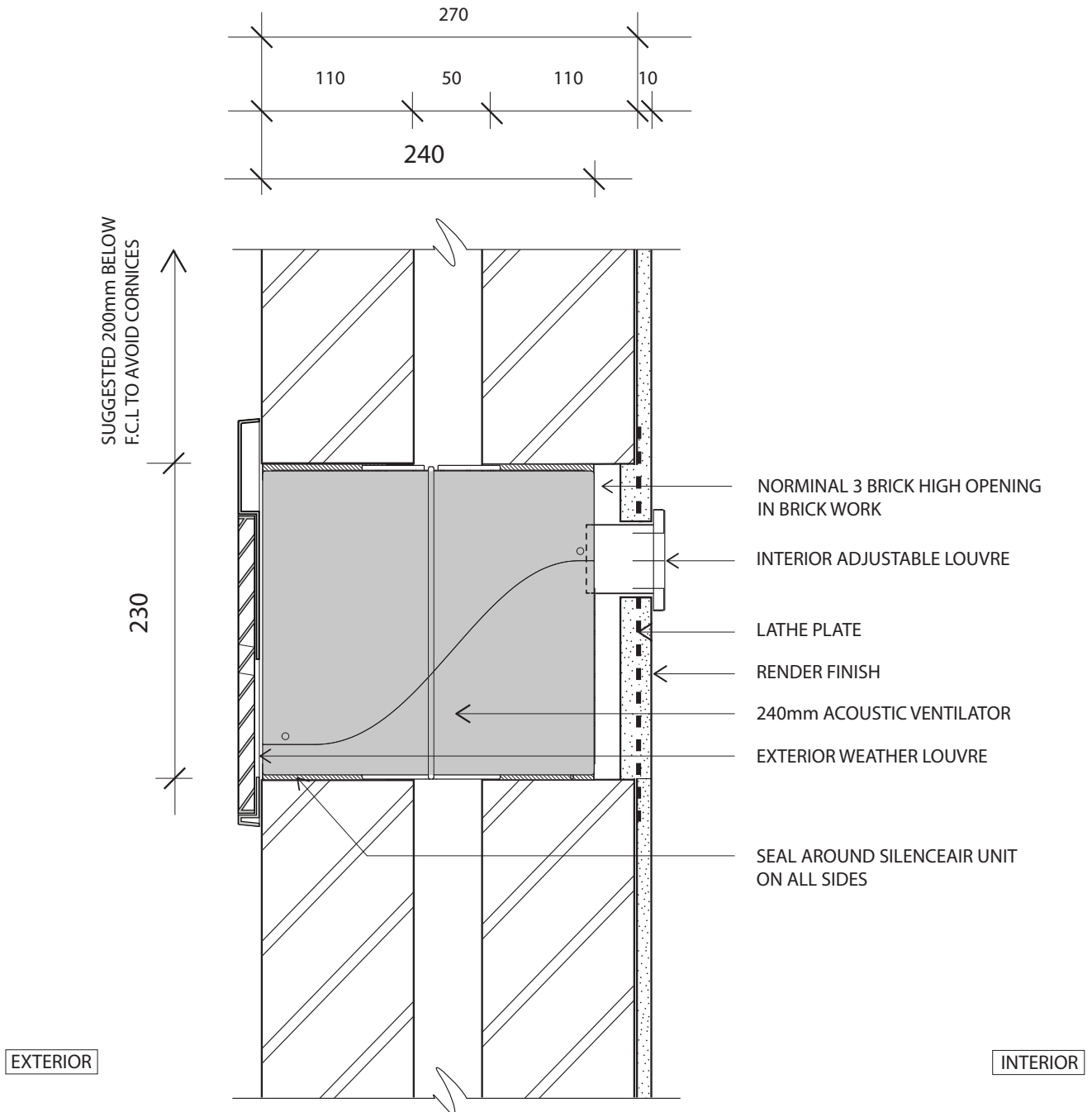
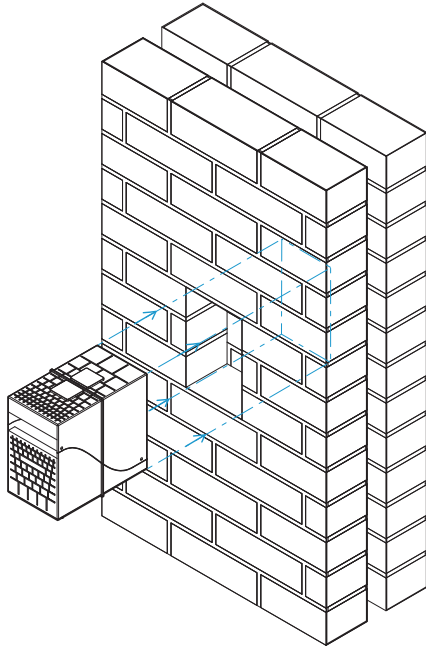


**240mm Acoustic Wall Ventilator**  
**Installed in Brick Cavity wall system with Rendered Interior wall surface.**

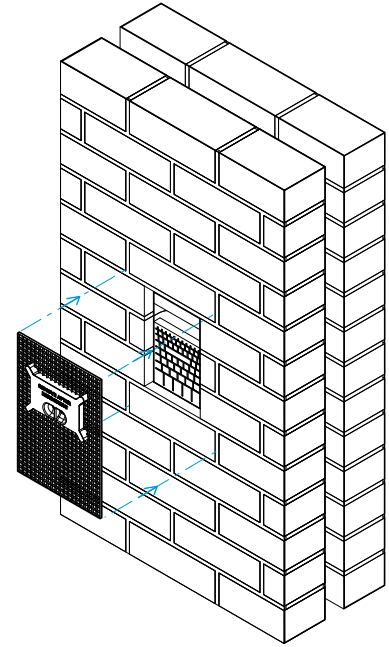


1



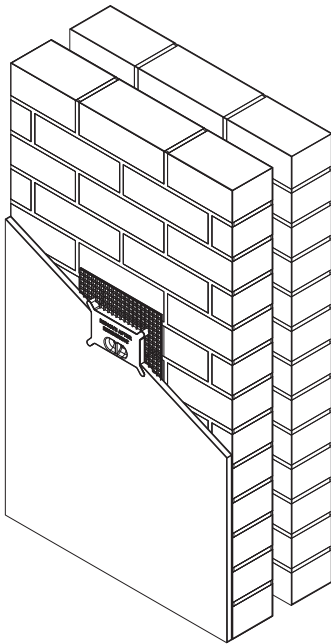
- On the inside, Insert the Silenceair unit into the wall opening and seal into place. Ensure it is installed in the correct orientation.
- Alternatively, build the unit into place as part of new work.
- Ensure the unit is sealed on all sides to ensure noise does not leak around the edges of the unit.

2



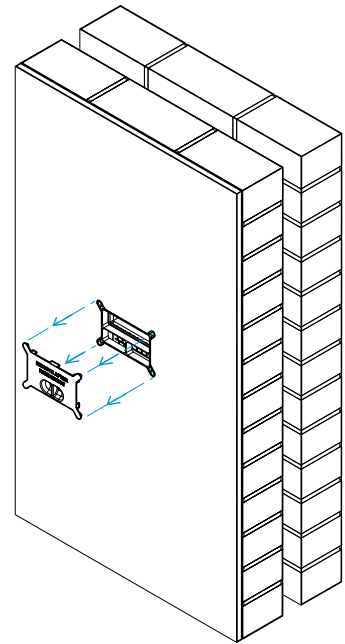
- On the interior wall, fix the lathe plate into position. Ensure the lathe plate lines up correctly with the interior air vent location on the Silenceair unit, to allow for the later insertion of the interior vent cover.

3



- Render the wall in accordance with standard practice for the chosen render material.
- Ensure the render finish is flush with the surface of the protective insert.

4



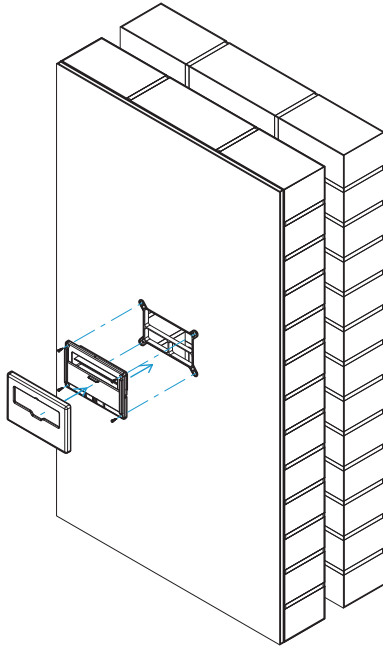
- Gently remove the protective insert.
- Check that the air outlet passage is clear of debris.

For more information please contact

[www.silenceair.com](http://www.silenceair.com) [enquiries@silenceair.com](mailto:enquiries@silenceair.com) +61 2 9555 7215

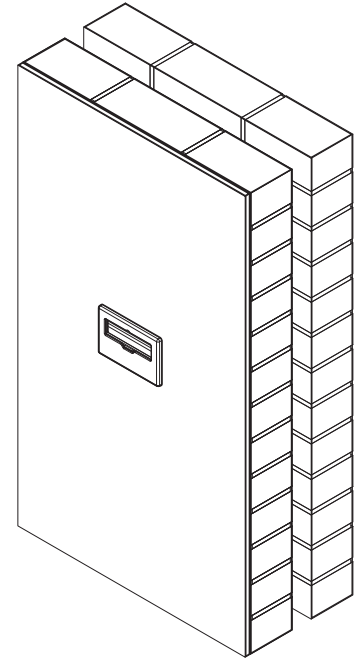
Patents and Patents Pending. Silenceair is a registered trademark of Silenceair International Pty Limited

5



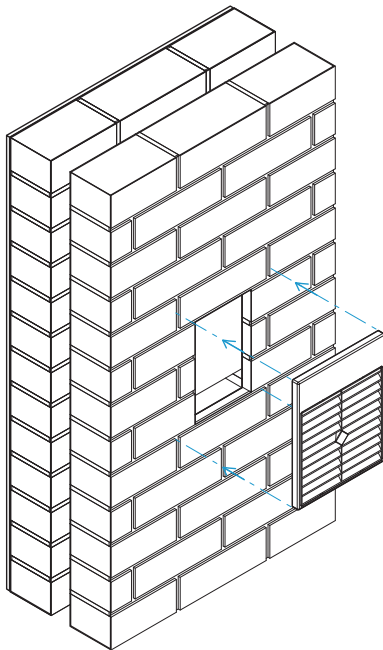
- Position the fixing plate and screw into place.
- Once the wall has been painted, the cover plate can be snap fitted into location.

6



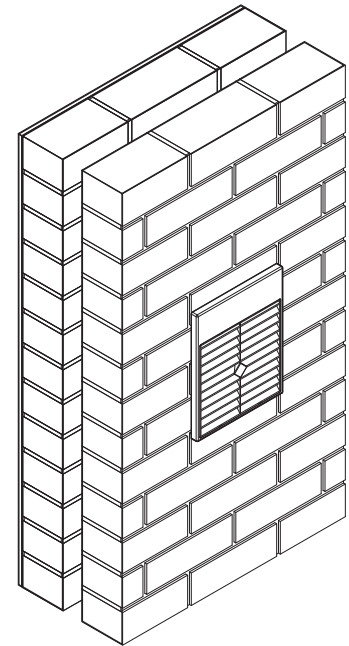
- From the inside, the Silenceair unit is completely hidden, only the adjustable vent cover is visible.

7



- On the outside, fix the Silenceair weather louvre base plate into position.
- Snap fit the weather louvres and insect screen into place.

8



- From the outside, only the colour matched weather louvre is visible.
- The Silenceair unit is completely hidden inside the wall.

## NOTES

- Silenceair reserves the right to modify or reissue technical brochures without notice.
- © 2018 Silenceair International Pty Ltd. ABN 44 096 462 949
- Date of Publication: October 2018.