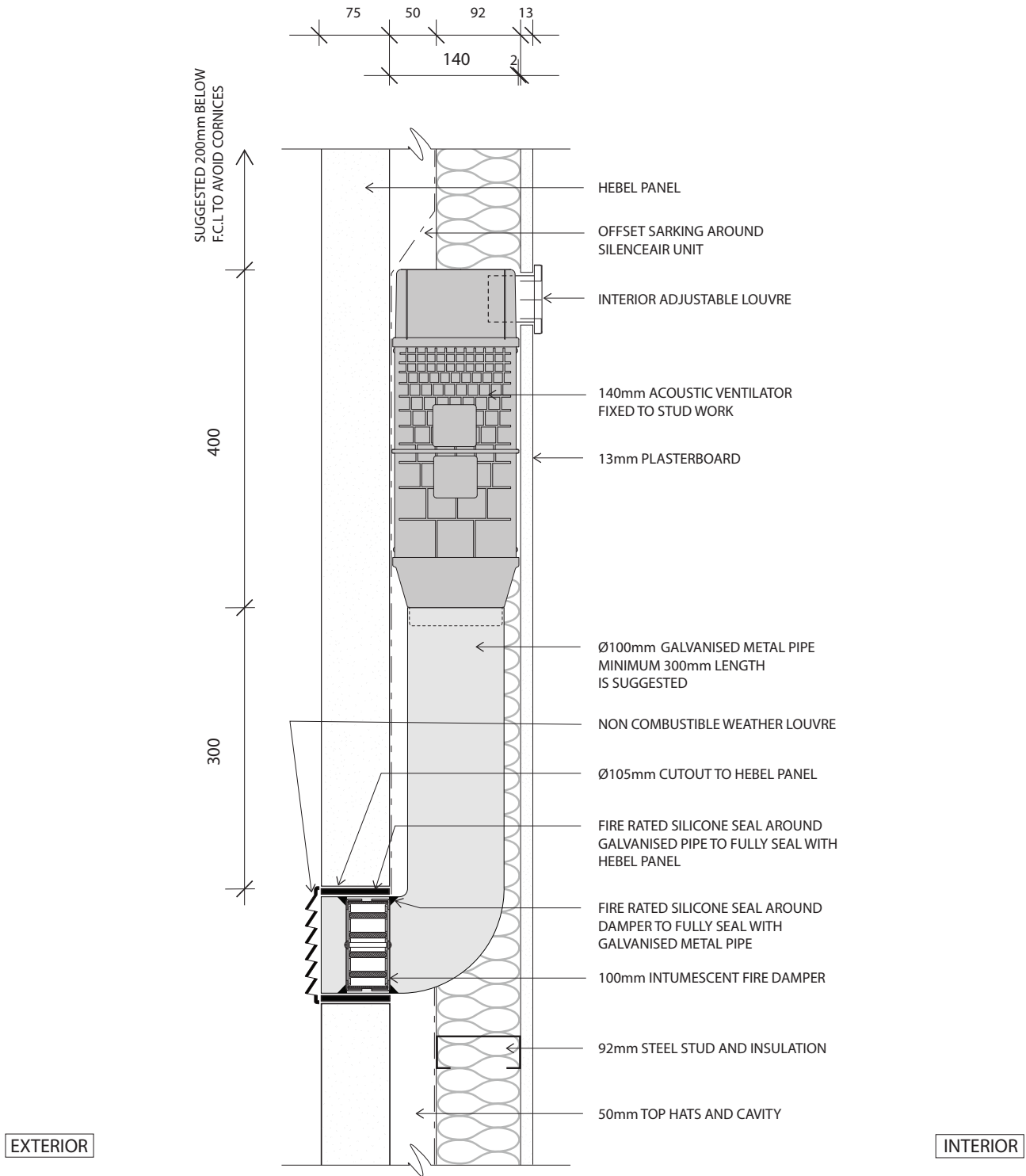
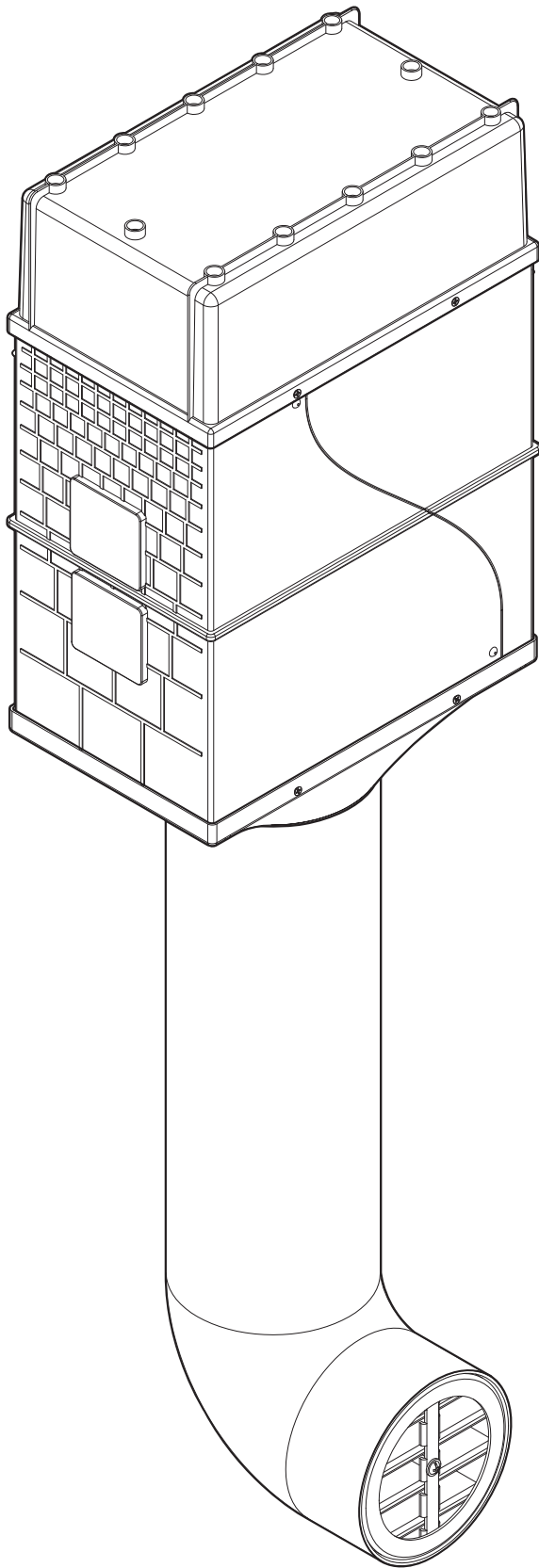
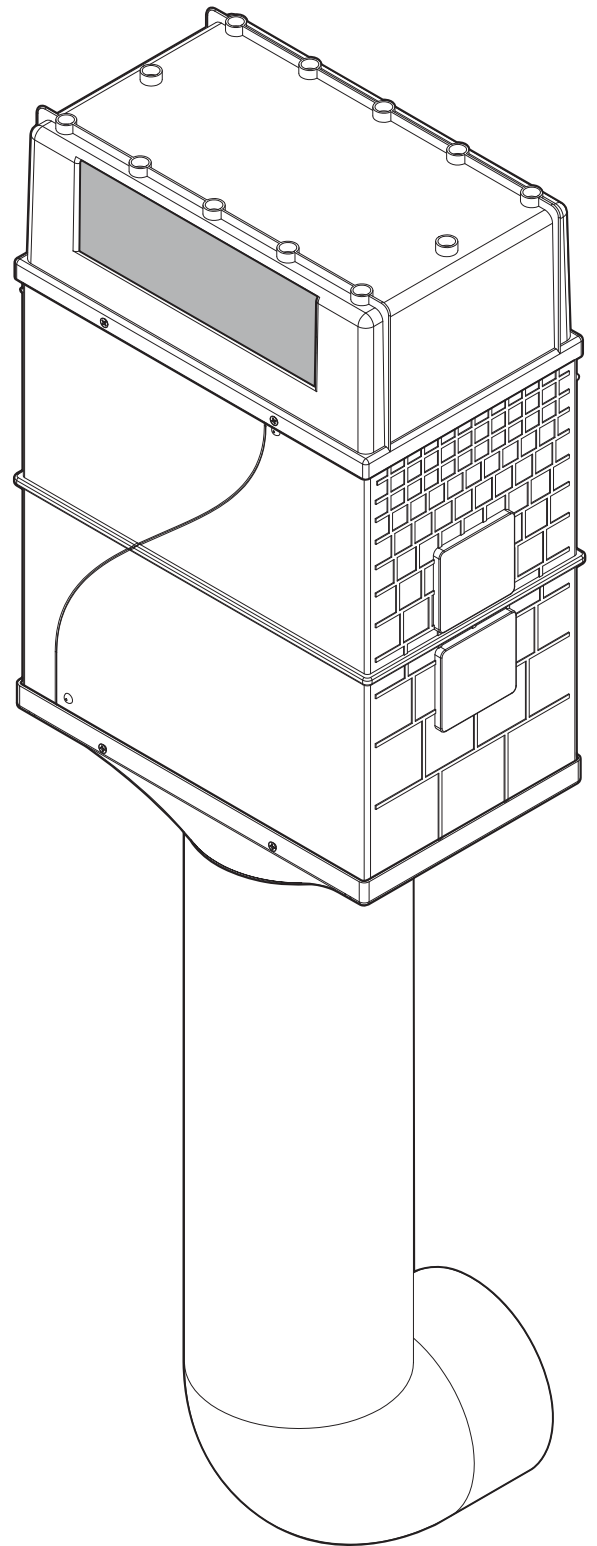


**140mm Acoustic Wall Ventilator
 Installed in Fire rated Hebel Panel wall system**





OUTSIDE VIEW



INSIDE VIEW