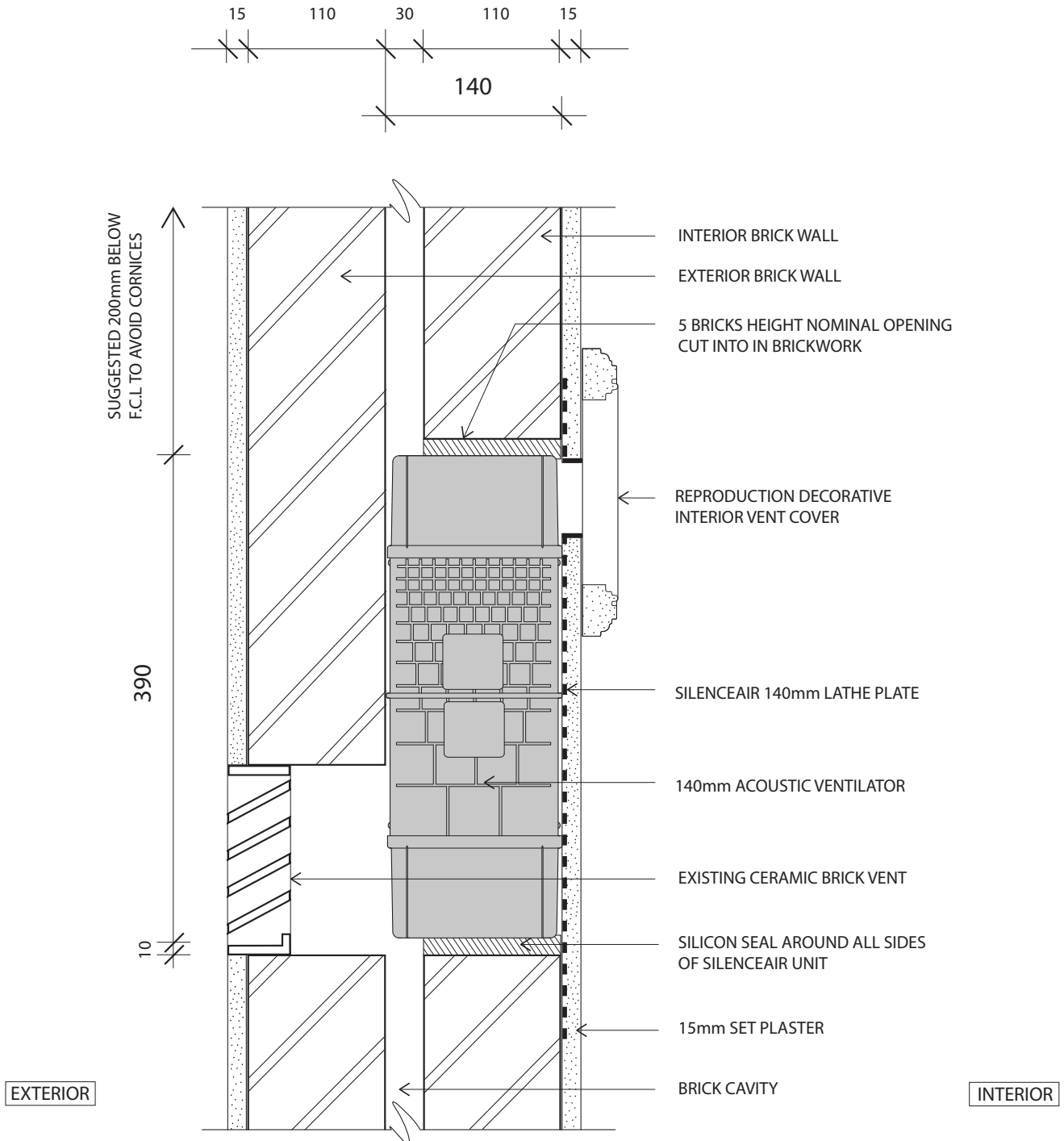


**140mm Acoustic Wall Ventilator
 Retrofit in Brick Cavity wall system with interior render**

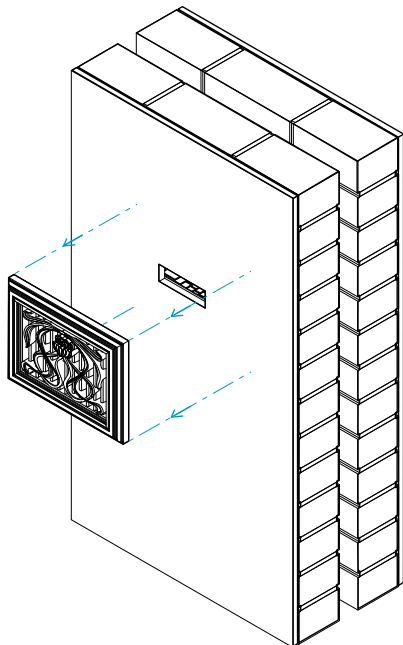


For more information please contact

www.silenceair.com enquiries@silenceair.com +61 2 9555 7215

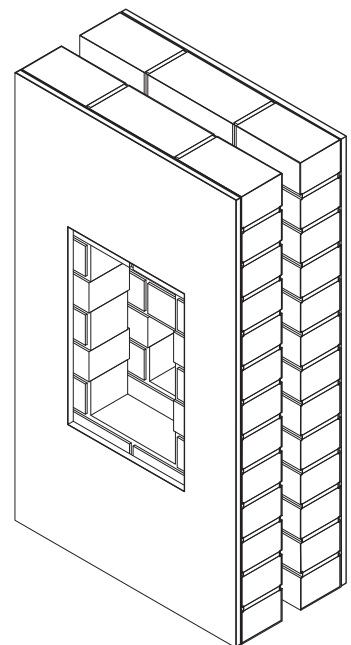
Patents and Patents Pending Silenceair is a registered trademark of Silenceair International Pty Limited

1



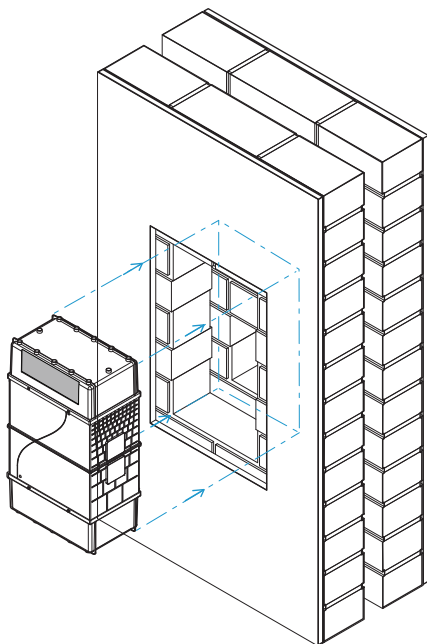
- Remove the interior decorative vent cover

2



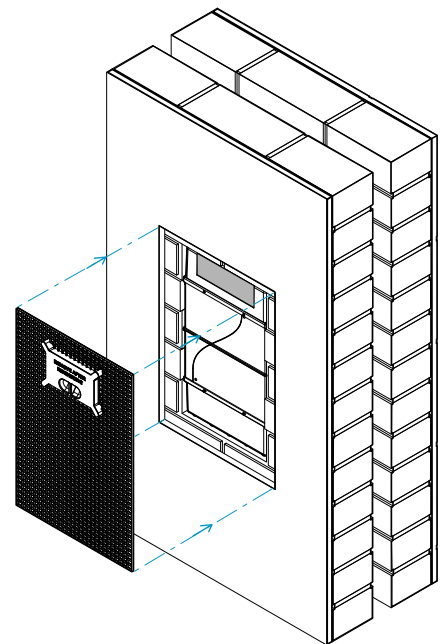
- Cut out the brick work to allow the installation of the Silenceair 140mm module.
- Ensure the arrangement will allow the air intake on the Silenceair module to line up with the exterior brick vent opening.
- Remove about 50mm of render around the cut-out to allow the fitting of the lathe plate and re-rendering of the wall surface.

3



- Insert the Silenceair module
- Ensure it is in the correct orientation as indicated on the module.
- Seal around all sides of the module to ensure a good air seal and to prevent sound penetration around the sides of the module.

4



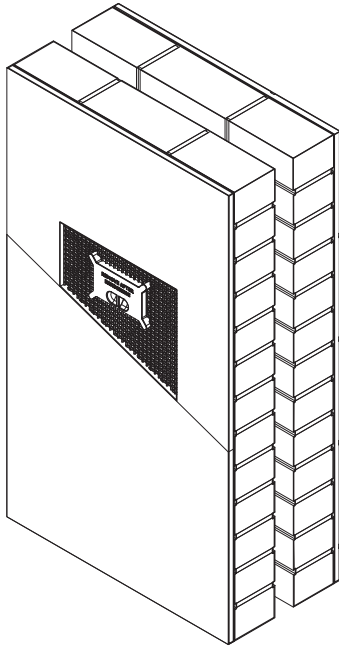
- Fix lathe plate into position over the Silenceair unit.

For more information please contact

www.silenceair.com enquiries@silenceair.com +61 2 9555 7215

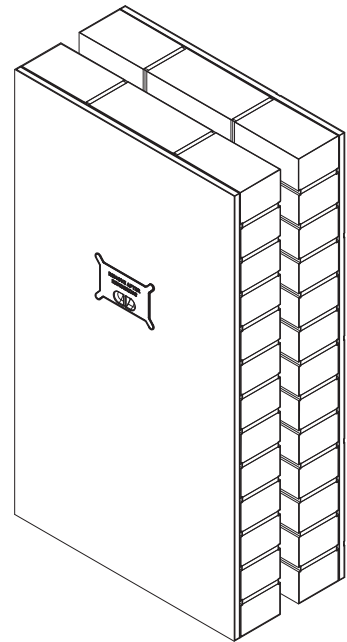
Patents and Patents Pending. Silenceair is a registered trademark of Silenceair International Pty Limited

5



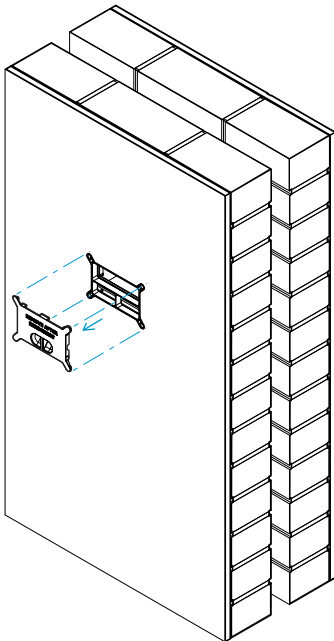
- Patch render to match the existing surface finish.

6



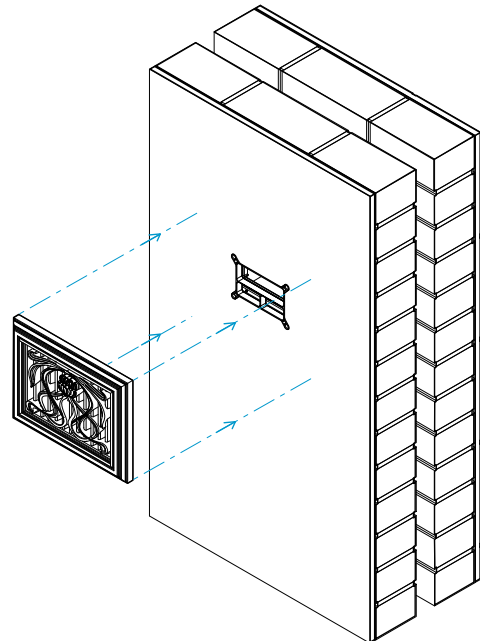
- The removable cover should be visible after rendering.

7



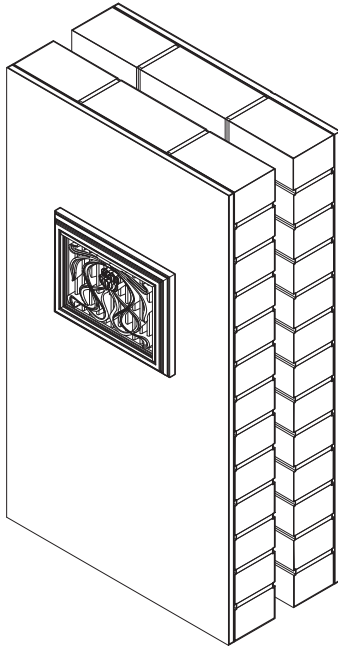
- Once the render has fully set, remove the cover plate.

8



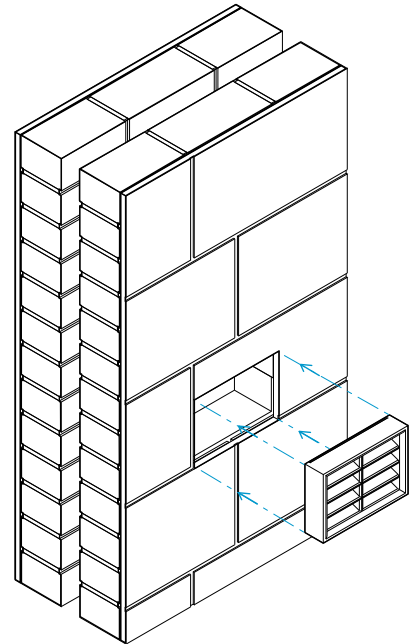
- Re-attach the decorative vent cover or alternatively use a reproduction vent cover to suit the architectural treatment of the building.

9



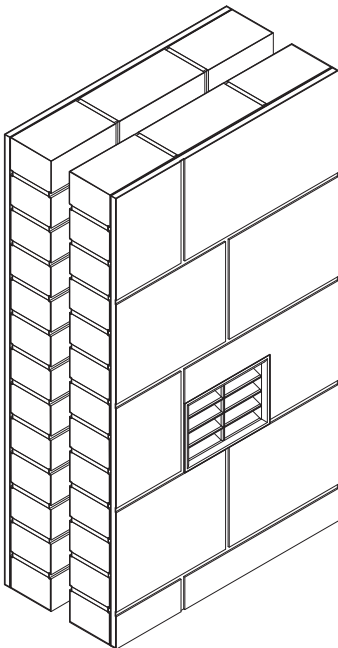
- The Silenceair unit is completely hidden in the wall, only the vent cover is visible.

10



- From the outside, if the existing weather louvre is damaged, remove and replace the weather louvre.

11



- When complete, the Silenceair acoustic ventilator is completely hidden in the wall, only the weather louvre is visible.

NOTES

- Silenceair reserves the right to modify or reissue technical brochures without notice.
- © 2018 Silenceair International Pty Ltd. ABN 44 096 462 949
- Date of Publication: October 2018.