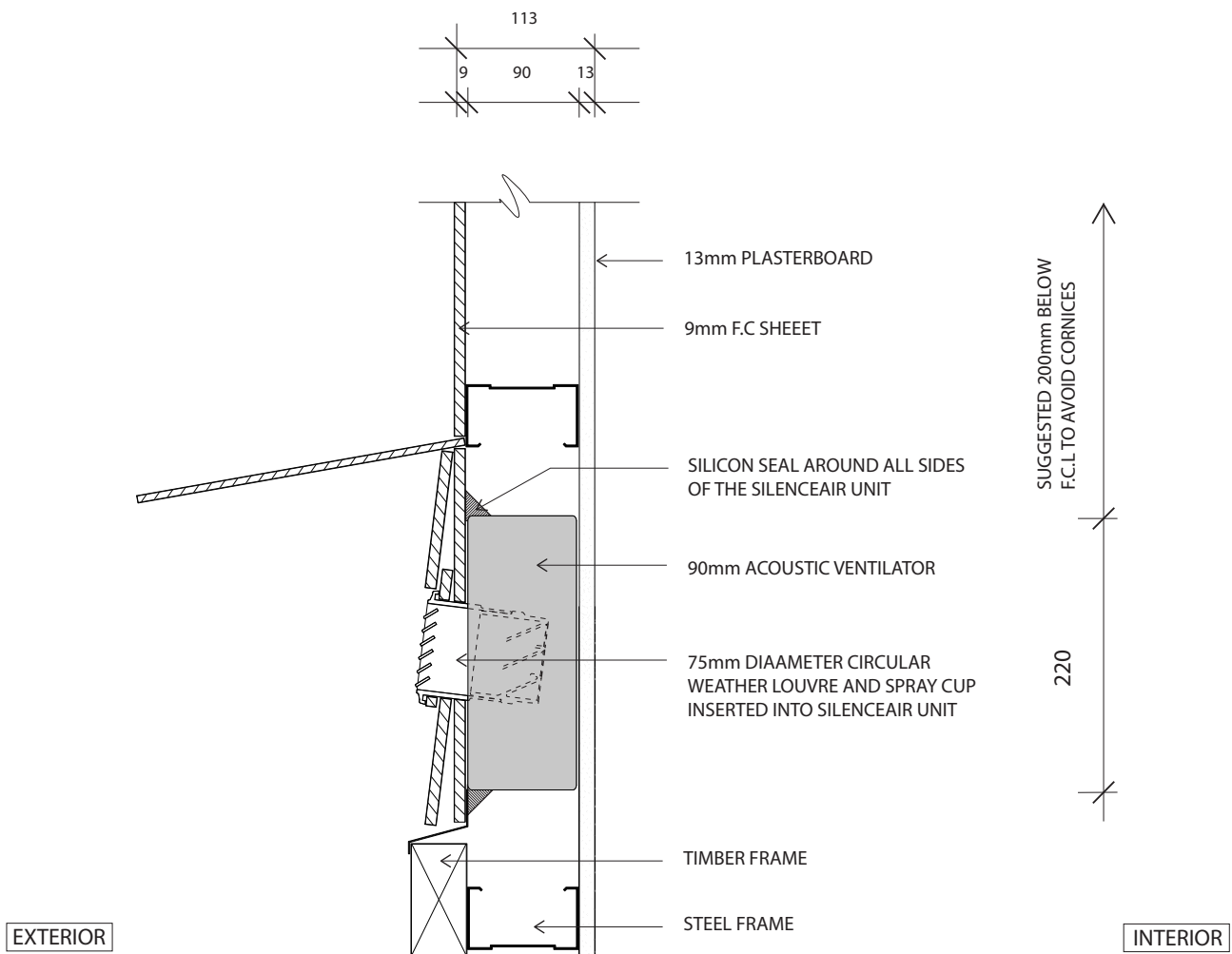
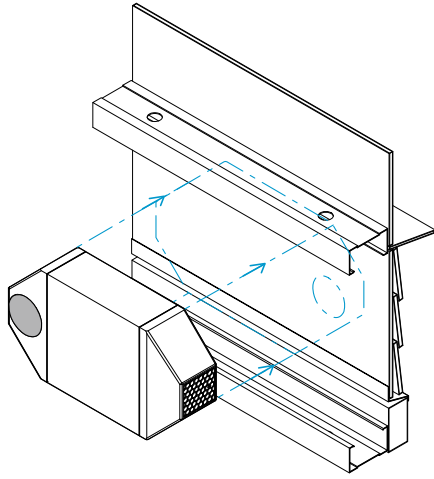


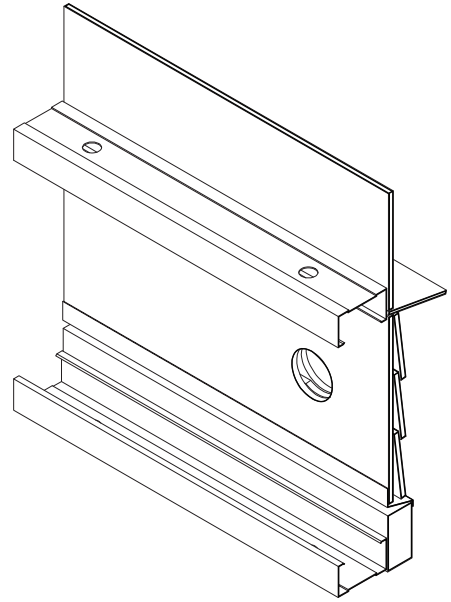
**90mm Acoustic Wall Ventilator
 Installed in F.C Weather board**



1



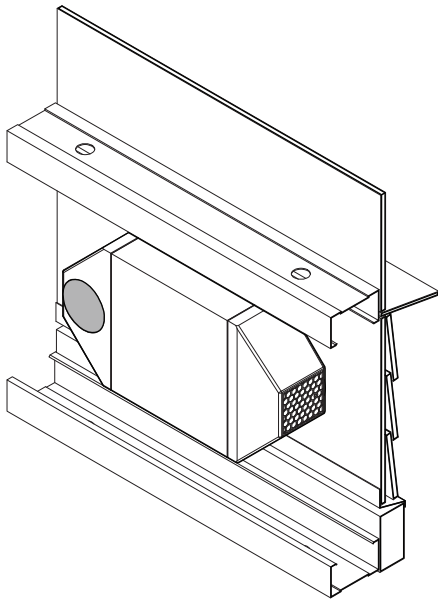
2



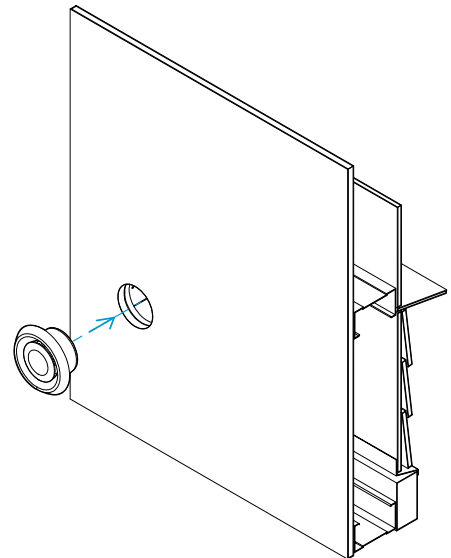
- Locate the Silenceair module on the wall.
- Mark the location of the air inlet opening on the wall with a small pilot hole.
- Ensure the air inlet is in the correct location on the exterior weather boards.

- Drill a 80mm diameter hole through the exterior cladding.

3



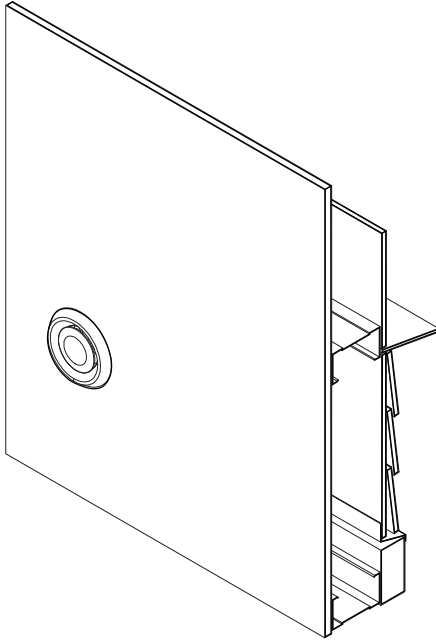
4



- Fix the Silenceair into position.
- It can be glued or screwed into position.
- Seal around the edges of the Silenceair and the wall sheeting to ensure no sound can leak out around the unit.

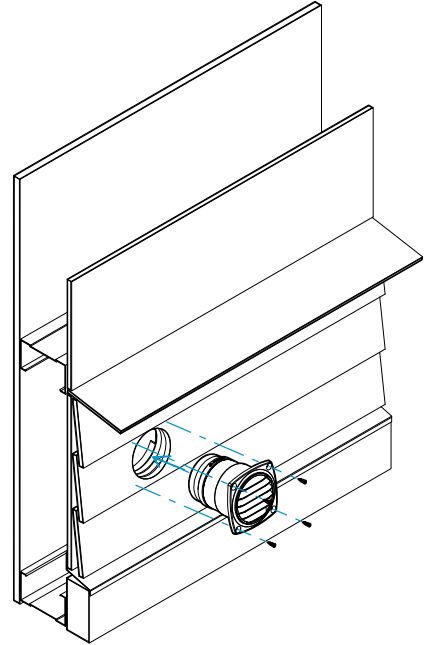
- Once the interior plaster board lining is installed, the interior air out register can be installed.

5



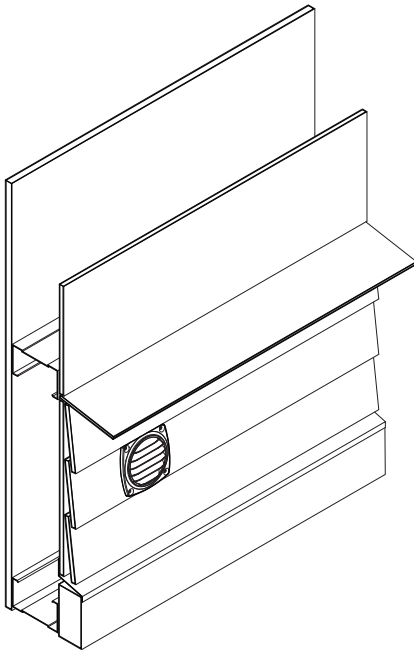
- From the inside, the Silenceair module is completely hidden in the wall cavity.

6



- Once the exterior paintwork is finished, install the colour coordinated exterior 76mm diameter weather grille.
- Ensure the grille is installed the right way up.

7



- From the outside, the Silenceair module is completely hidden in the wall.
- All that is visible is the colour coordinated weather louvre.

NOTES

- Silenceair reserves the right to modify or reissue technical brochures without notice.
- © 2019 Silenceair International Pty Ltd.
ABN 44 096 462 949
- Date of Publication: February 2019.