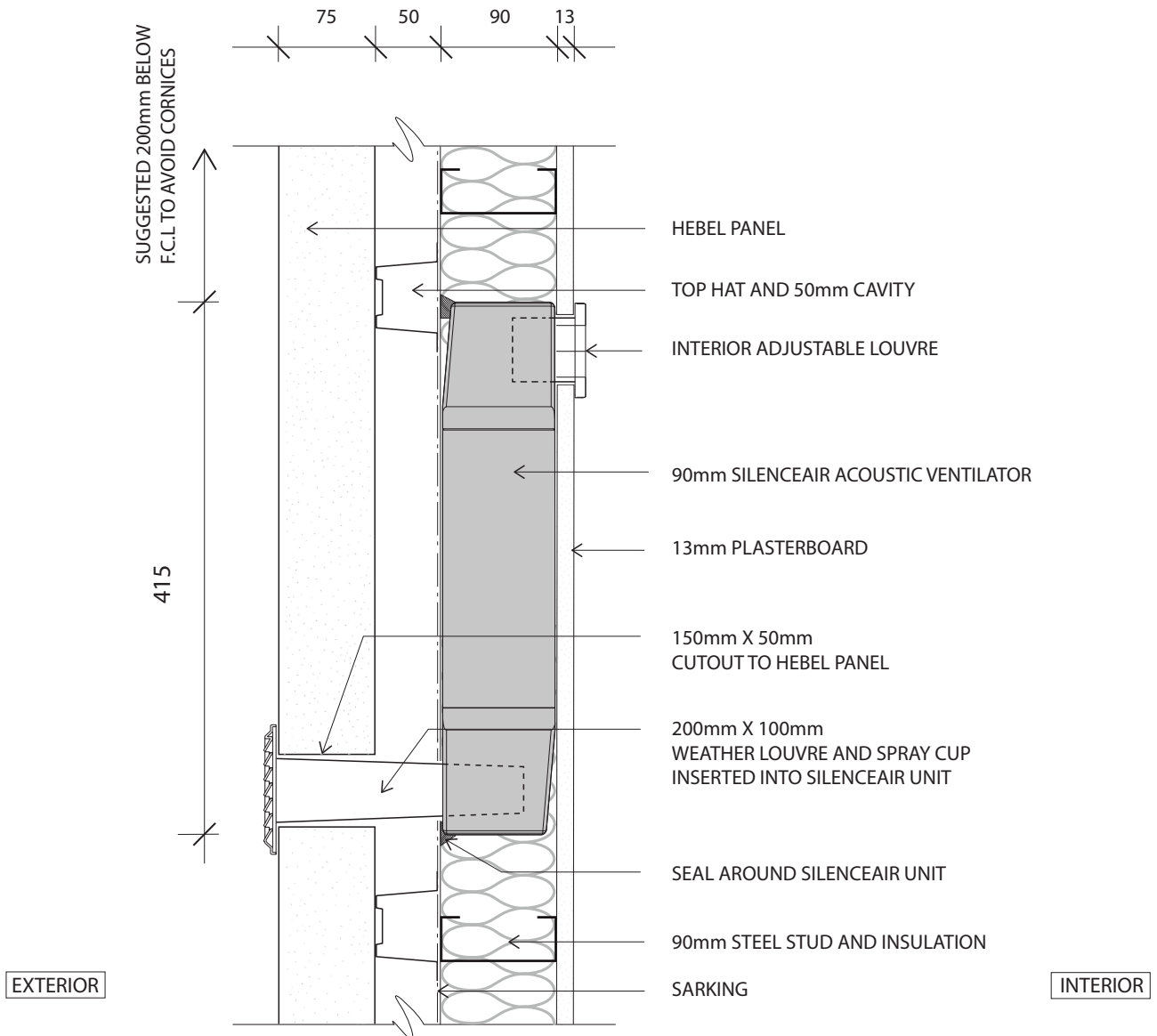


**90mm Acoustic Wall Ventilator
 Installed in Hebel wall system**

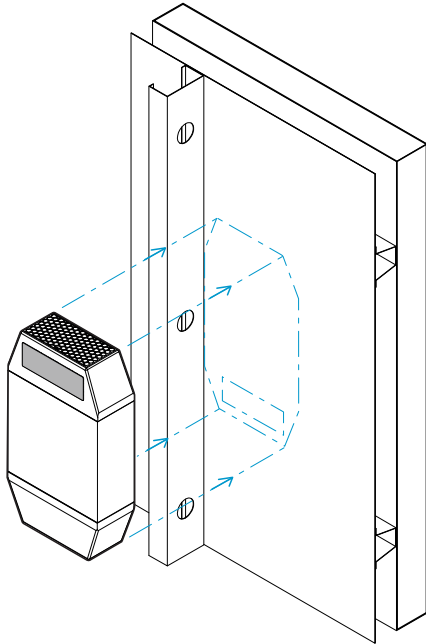


For more information please contact

www.silenceair.com enquiries@silenceair.com +61 2 9555 7215

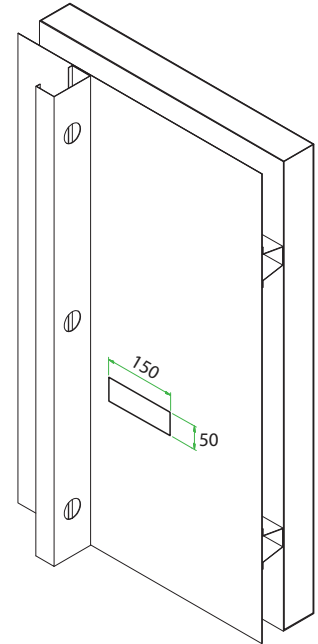
Patents and Patents Pending Silenceair is a registered trademark of Silenceair International Pty Limited

1



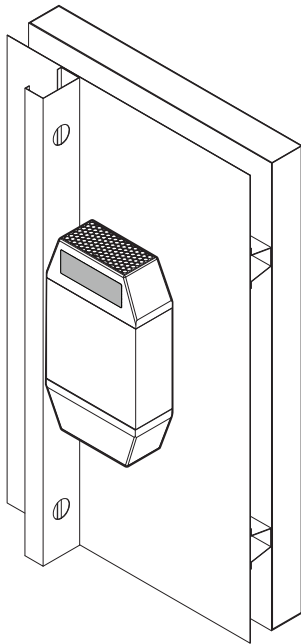
- Locate the Silenceair module on the wall.
- Mark the location of the air inlet opening on the wall with a small pilot hole.
- Ensure the air inlet is in the desired location on the exterior panel.

2



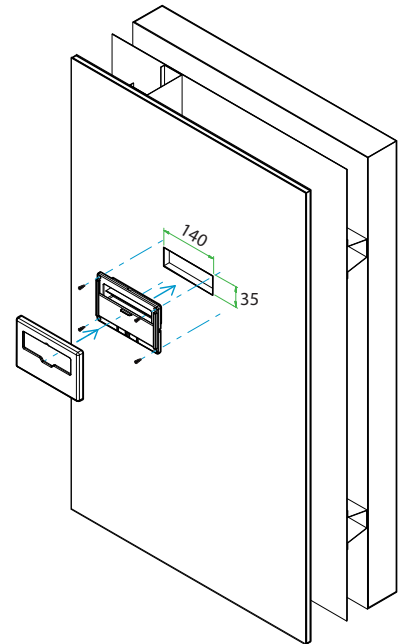
- Cut a hole in the sarking and the Hebel panel to allow the air inlet weather louvre to be installed.

3



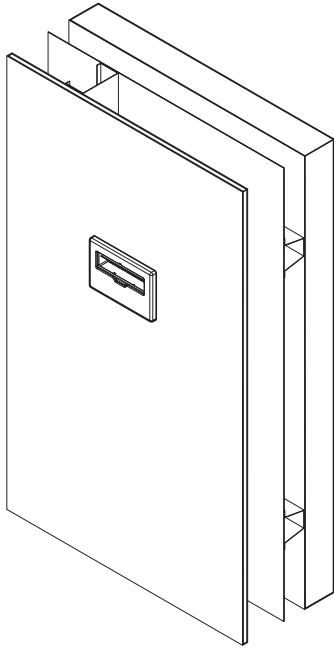
- Fix the Silenceair into position.
- Ensure correct alignment with the air inlet.
- It can be glued or screwed into position to the studs or the top hats.
- Seal around the edges of the Silenceair and the wall sheeting to ensure no sound can leak out around the unit.

4



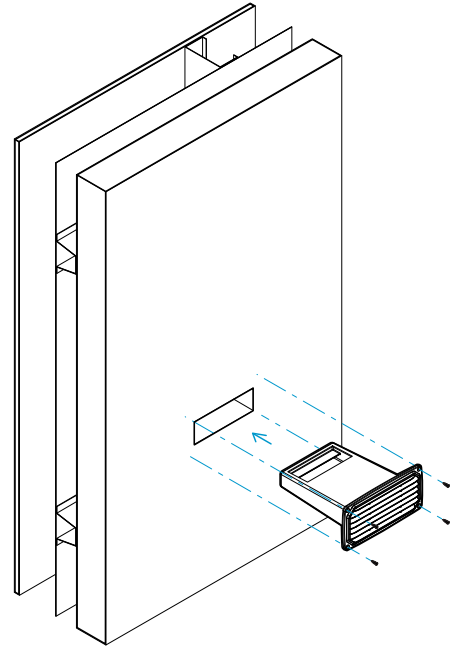
- Once the interior plaster board lining is installed and painted the interior air out register can be fitted.

5



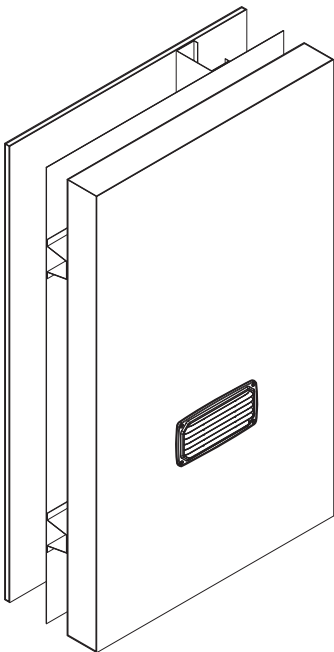
- From the inside, the Silenceair module is completely hidden in the wall cavity.

6



- Once the exterior paintwork is finished, install the colour coordinated exterior weather grille.
- Ensure the grille is installed the right way up.

7



- From the outside, the Silenceair module is completely hidden in the wall.
- All that is visible is the colour coordinated weather louvre.

NOTES

- Silenceair reserves the right to modify or reissue technical brochures without notice.
- © 2019 Silenceair International Pty Ltd.
ABN 44 096 462 949
- Date of Publication: February 2019.