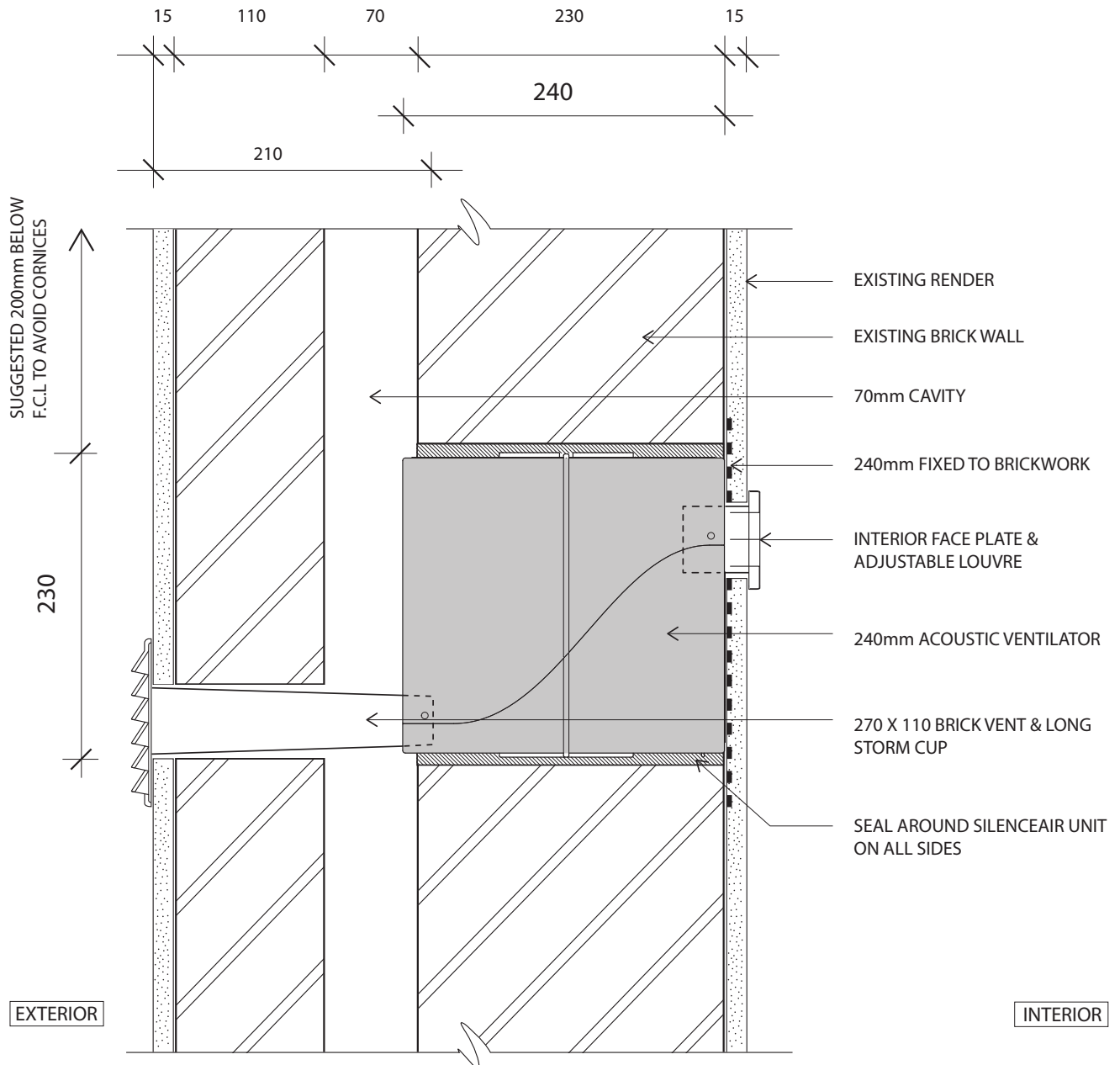
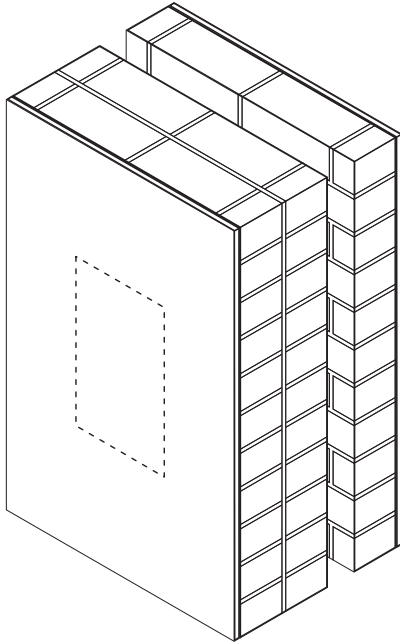


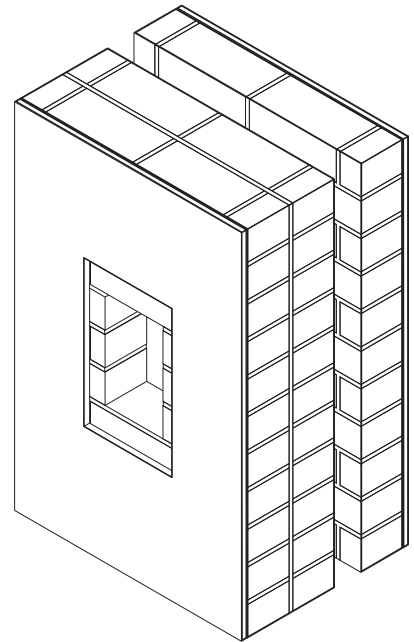
**240mm Acoustic Wall Ventilator  
Retrofitting into a brick cavity wall**



1



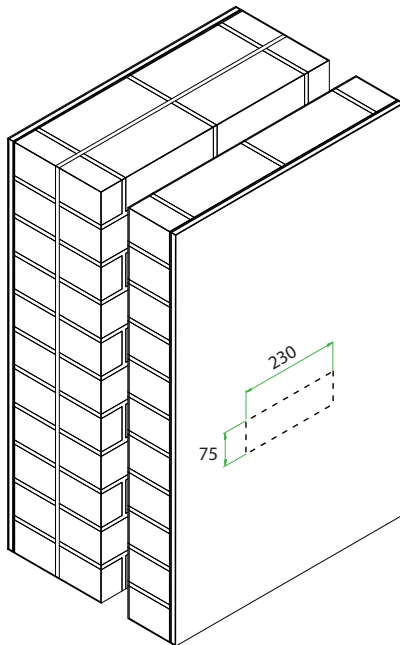
2



- From the inside, identify the location on the wall where the Silenceair unit is to be installed.
- Remove the brickwork as required.
- A nominal 3 bricks high x 175mm wide is sufficient for the opening.
- Try to ensure the opening is organised to allow a single brick to be removed on the exterior to allow for the air intake to line up with the Silenceair unit. (see image 3)

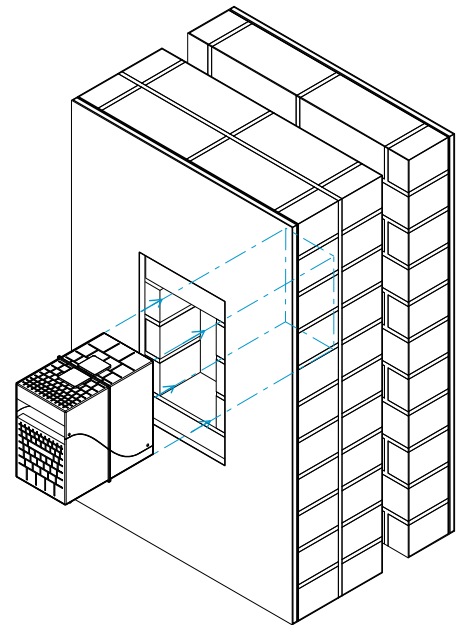
- Chip away about 50mm of render on all sides of the interior opening to allow the fixing of the lathe plate (see image 5).

3



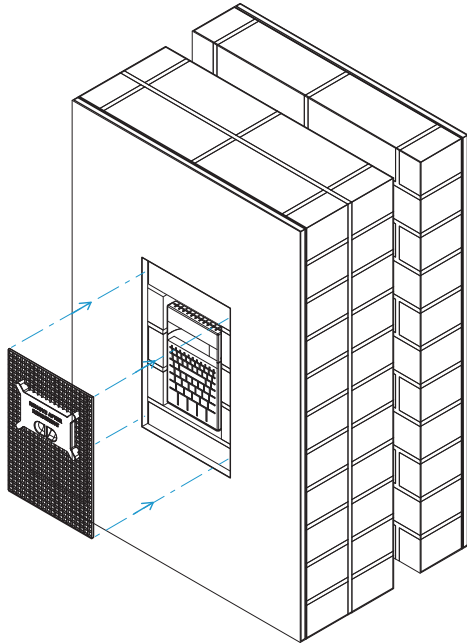
- On the outside, carefully remove 1 brick to allow for the air intake.
- Ensure it lines up with the interior opening.

4



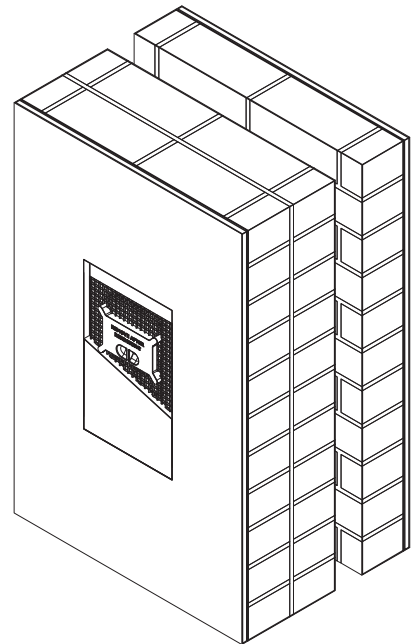
- Insert the Silenceair module into place.
- Seal around all sides to ensure a snug fit and prevent sound from leaking down the sides of the modules.

5



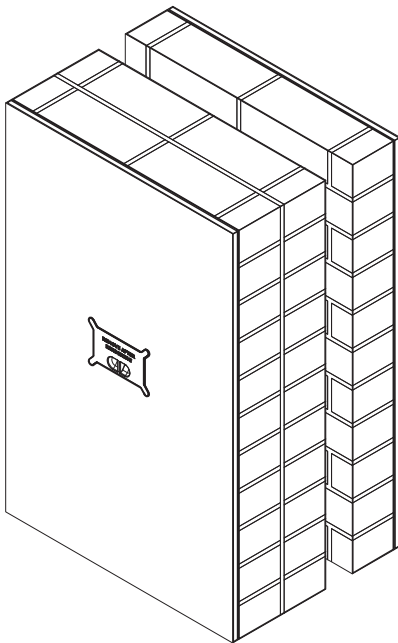
- Fix the lathe plate into location, ensuring it lines up with the interior vent opening on the Silenceair module.
- The lathe plate can be either nailed or glued into place.

6



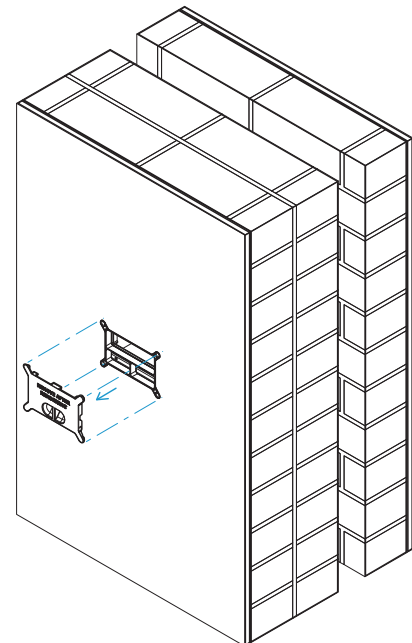
- Render finish as necessary to match the existing finish.

7



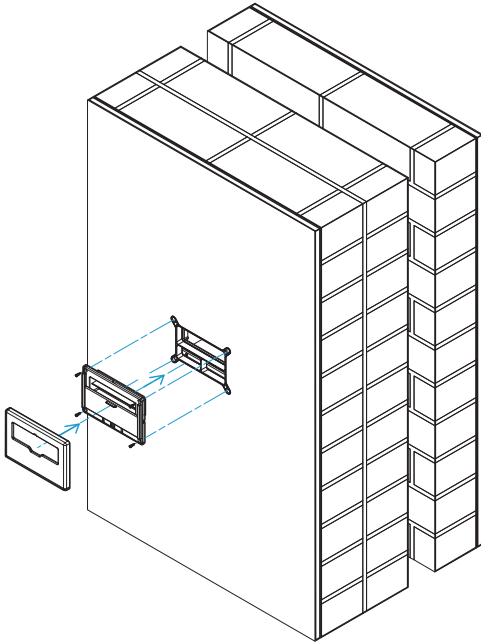
- The removable cover plate should be flush with the render surface once rendering is finished.

8



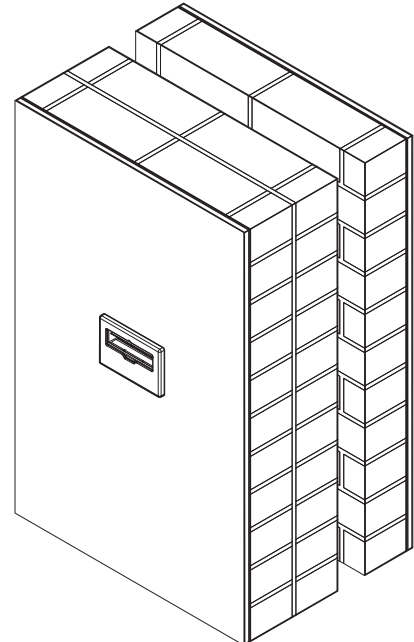
- Paint finish the wall and remove the disposable cover plate.
- The cover plate is recyclable, so please dispose of responsibly.

9



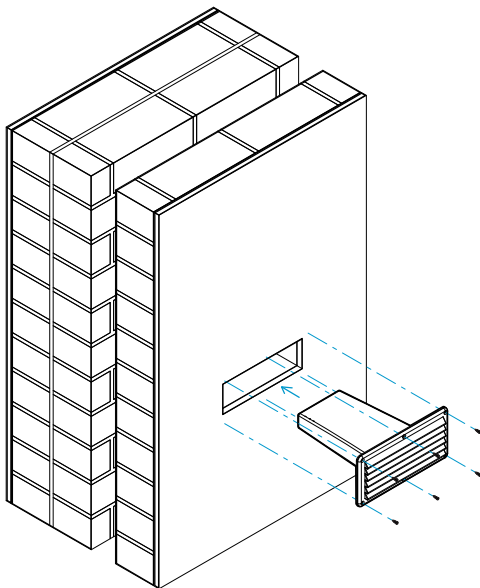
- Fix the interior adjustable face plate and cover into position.

10



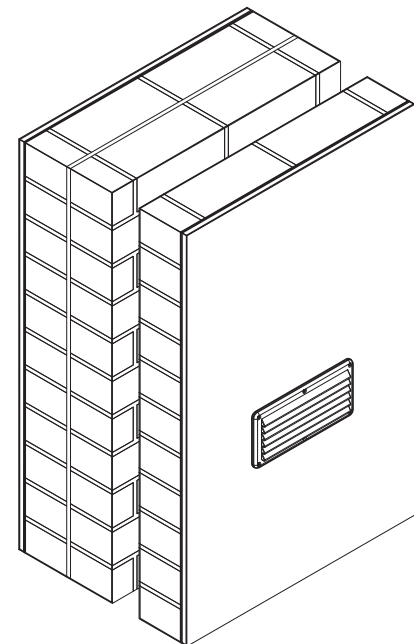
- From the inside, the Silenceair module is completely hidden in the wall, only the adjustable face plate is visible.

11



- From the outside, fix the weather louvre and air intake duct into position.
- Ensure the air intake duct is fitting cleanly into the air inlet of the Silenceair module

12



- From the outside, the Silenceair module is completely hidden in the wall, only the colour coordinated weather louvre is visible.
- Installation is now complete.

## NOTES

- Silenceair reserves the right to modify or reissue technical brochures without notice.
- © 2018 Silenceair International Pty Ltd. ABN 44 096 462 949

Date of Publication: October 2018.