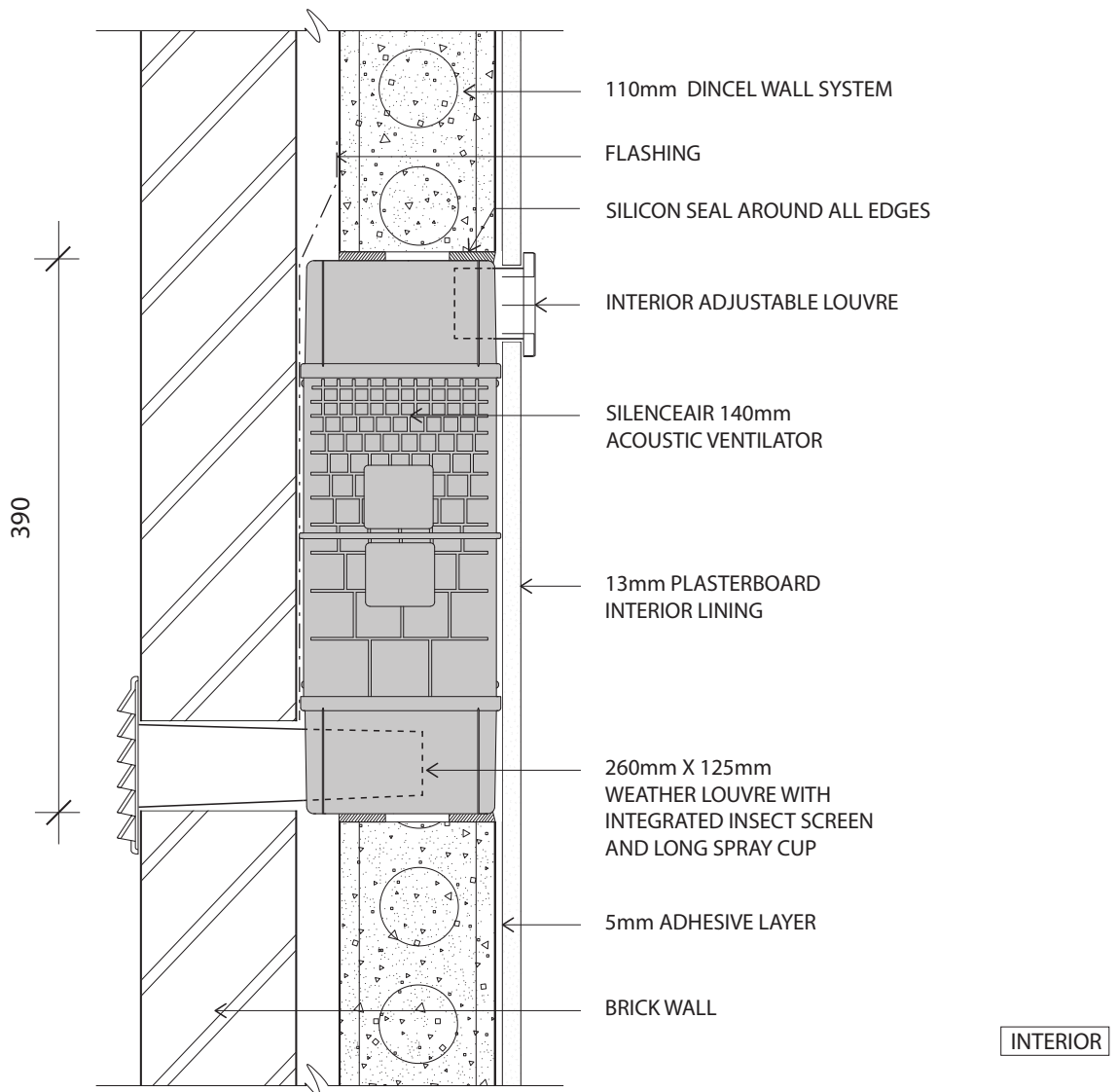
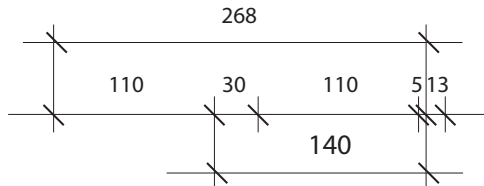
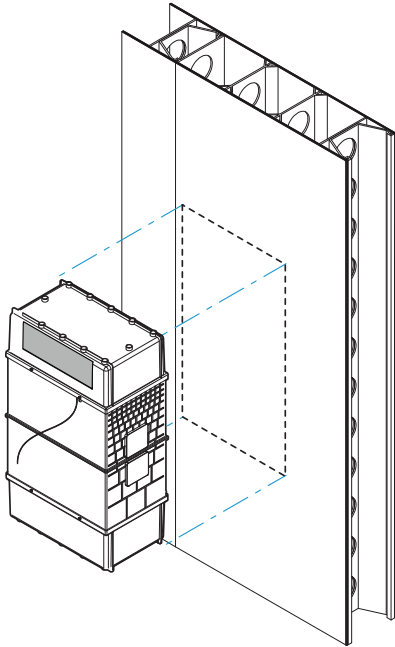


**140mm Acoustic Wall Ventilator
 Installed in Dincel and Brick Veneer wall system**

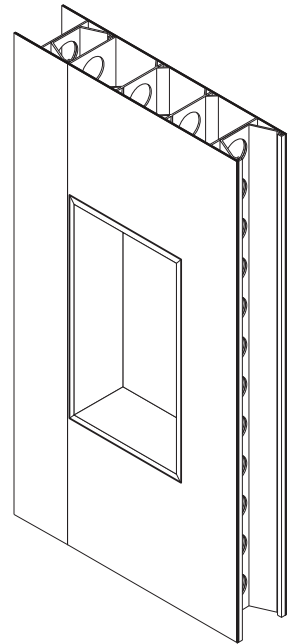


1



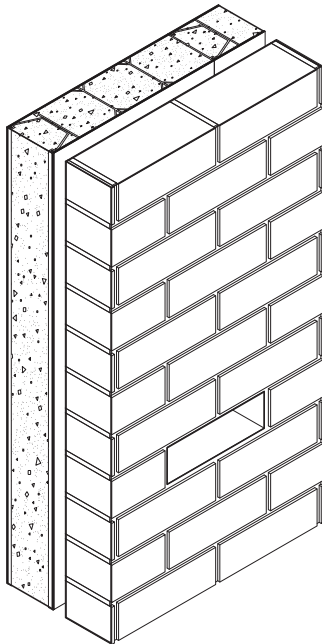
- Mark the preferred location of the Silenceair unit on the interior face of the DINCEL wall segment. Ensure the Silenceair unit is in the correct orientation.
- Provide adequate tolerances around the Silenceair unit to allow for adjustments to the final positioning of the unit to line up with the exterior brick opening.

2



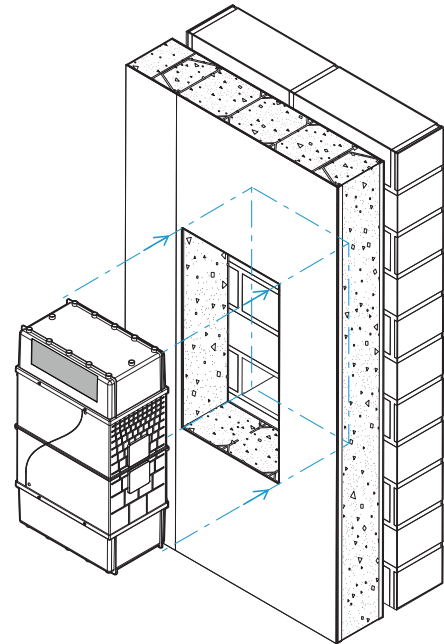
- Cut out the DINCEL plastic and close the edges with standard DINCEL top caps and brace the opening as per standard DINCEL practice.
- Pour the concrete fill into the DINCEL lost formwork, ensuring the top caps and bracing have not been displaced during the pour.

3



- As the exterior brick work is laid, provide a brick opening for the air inlet.
- Ensure the opening in the brick work lines up with the location of the outside air intake on the Silenceair unit.

4



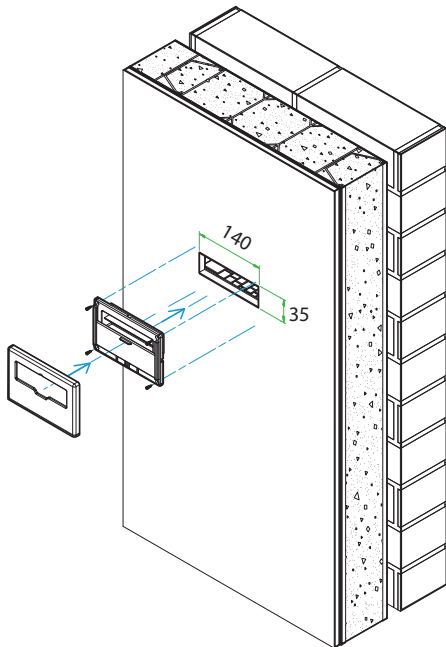
- Insert the Silenceair unit into the opening and seal all edges to ensure sound does not leak around the sides of the unit.

For more information please contact

www.silenceair.com enquiries@silenceair.com +61 2 9555 7215

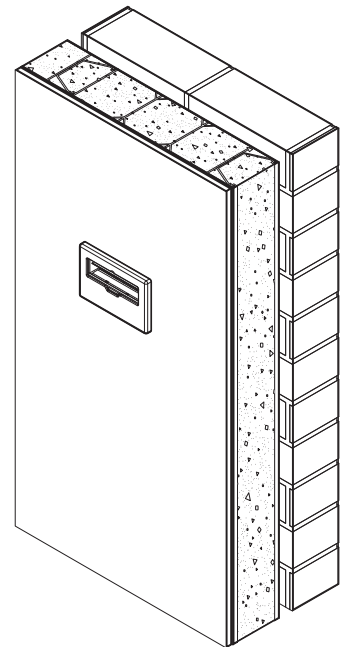
Patents and Patents Pending. Silenceair is a registered trademark of Silenceair International Pty Limited

5



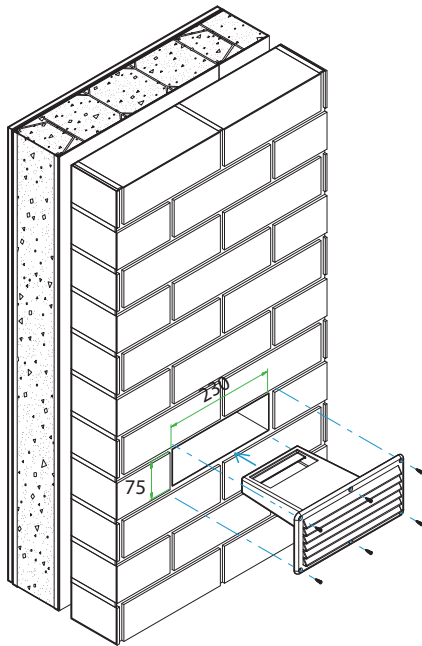
- Fix the interior plasterboard lining into place, marking the position of the air outlet before the lining is fixed.
- Cut a 140mm * 35mm opening in the plasterboard and insert the interior vent fixing plate.
- After painting, the cover plate can be snap fitted into place.

6



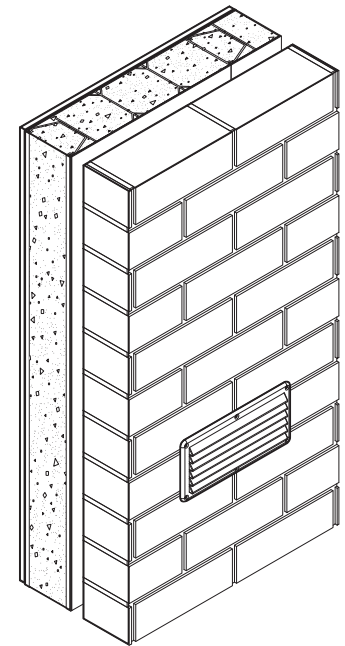
- From the inside, the Silenceair unit is completely hidden inside the wall, only the interior adjustable vent cover is visible.

7



- After the cleaning of the brick work, and prior to the removal of the scaffolding, insert the weather louvre and spray cup into the slot and screw fix into place with the screws supplied.
- Ensure the weather louvre is installed in the correct orientation.

8



- From the outside, the Silenceair unit is completely hidden inside the wall cavity. Only the face of the pre-painted weather louvre is visible.
- The weather louvres can be factory painted to colour match the colour scheme of the building. Call us to discuss lead times to ensure there is adequate notice prior to the removal of the scaffolding.

NOTES

- Silenceair reserves the right to modify or reissue technical brochures without notice.
- © 2018 Silenceair International Pty Ltd. ABN 44 096 462 949

Date of Publication: October 2018.