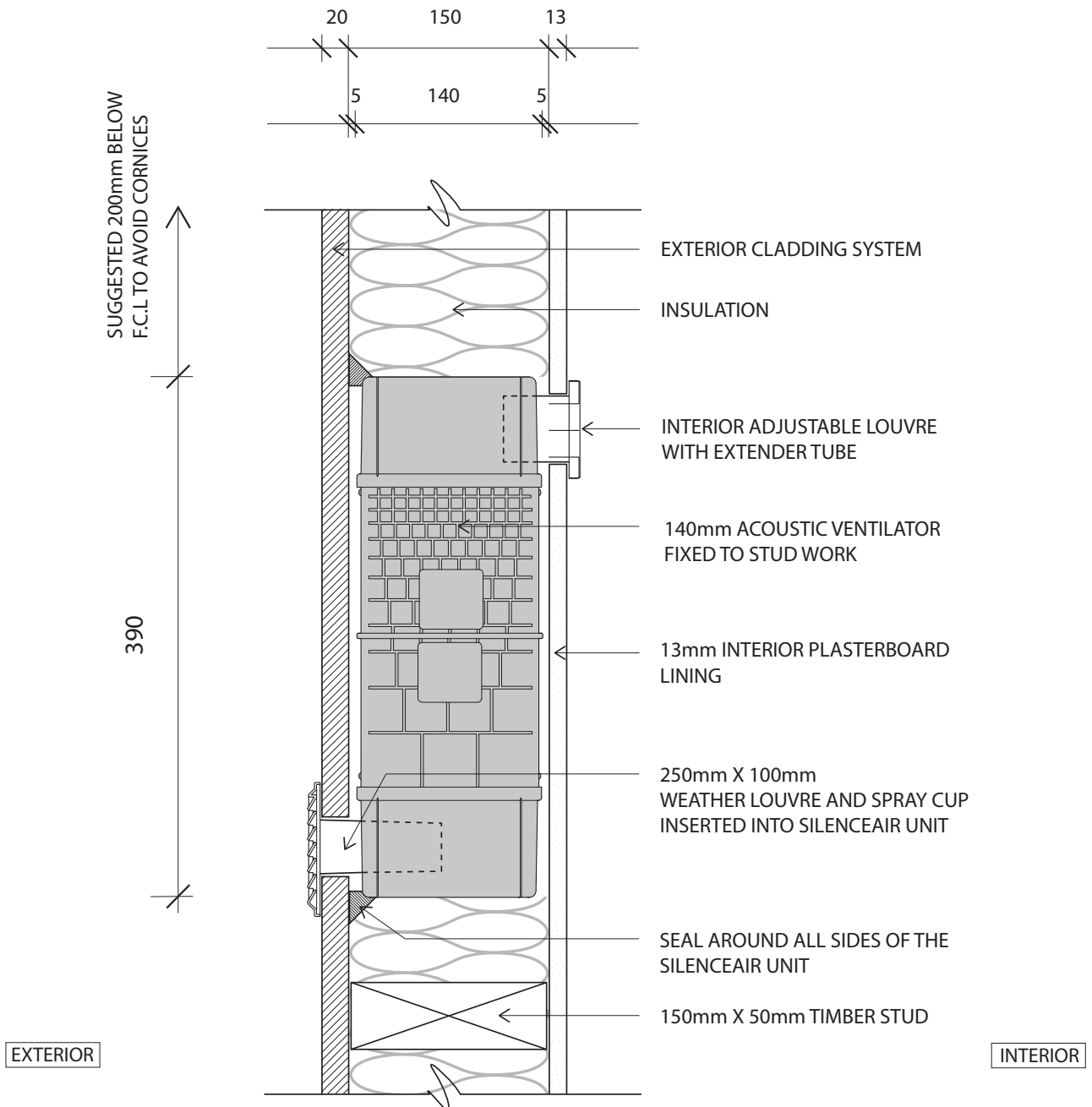


**140mm Acoustic Wall Ventilator
 Installed in 150mm Studwork wall System**

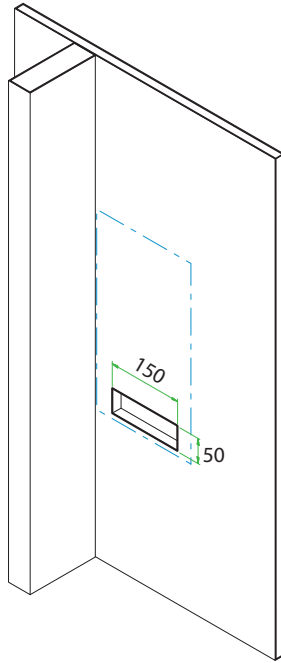


For more information please contact

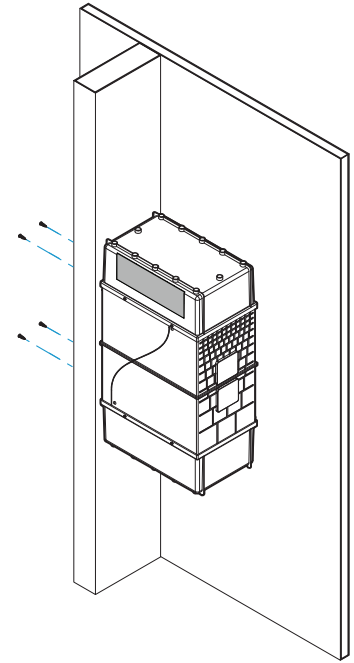
www.silenceair.com enquiries@silenceair.com +61 2 9555 7215

Patents and Patents Pending Silenceair is a registered trademark of Silenceair International Pty Limited

1



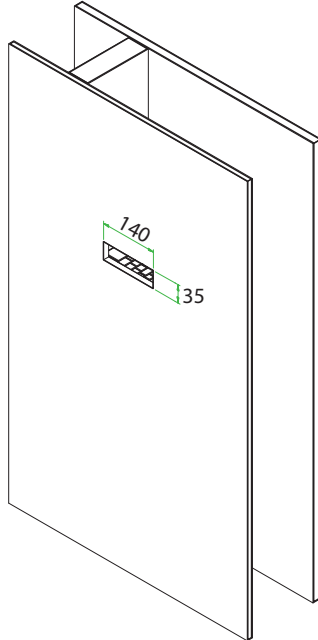
2



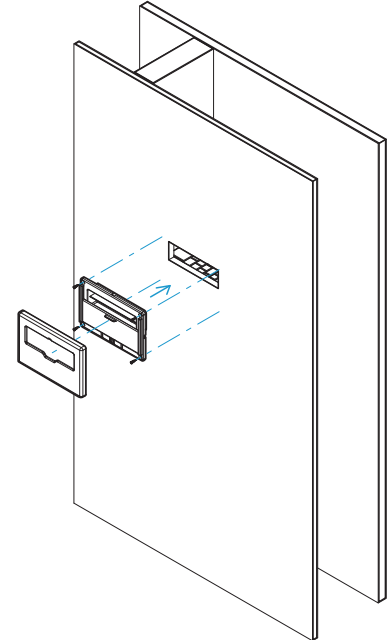
- Prior to installing the interior plasterboard lining, identify the preferred fixing location of the Silenceair unit. The unit has clear instructions written on it for the correct orientation.
- Cut a hole 150mm wide * 50mm high in the exterior wall lining. This must line up with the external vent opening in the unit. Ensure the opening is clear of debris.

- Screw fix the Silenceair unit into place through the studwork or glue directly onto the lining material. The unit is robust and can be screwed or glued into position without affecting the performance of the unit.
- Seal around the edges of the unit to ensure a close fit to the exterior lining and prevent sound escaping through any gaps.

3



4



- Mark the location of the interior vent opening onto the plasterboard interior lining prior to installing the plasterboard.
- Fix the interior plasterboard sheet into position.
- Cut a 140mm wide * 35mm high hole in the plasterboard. Ensure the cut-out in the plasterboard lines up with the interior vent opening of the Silenceair unit.

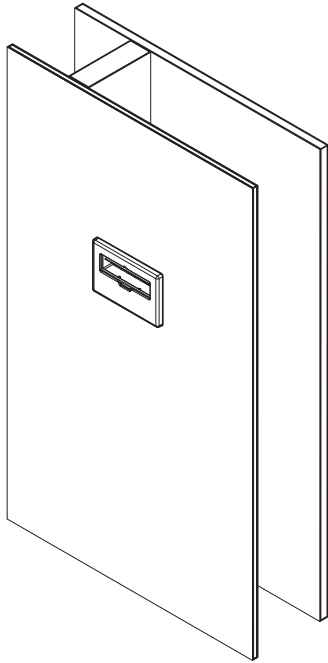
- Fix the interior adjustable louvre with extender tube and cover plate into place on the plasterboard after the wall has been painted.

For more information please contact

www.silenceair.com enquiries@silenceair.com +61 2 9555 7215

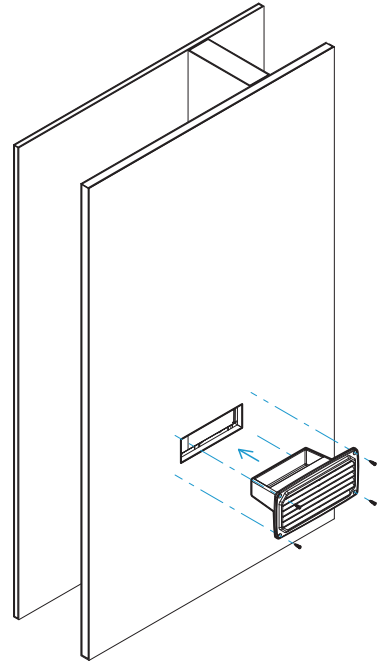
Patents and Patents Pending. Silenceair is a registered trademark of Silenceair International Pty Limited

5



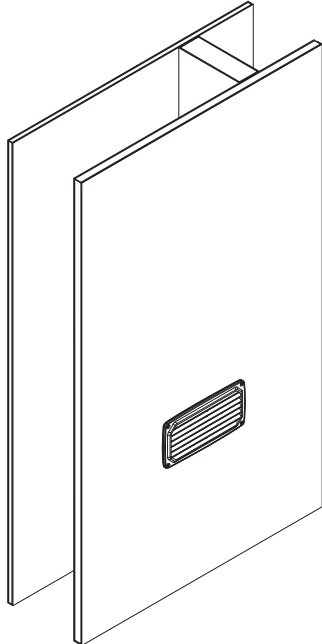
- The Silenceair unit is completely hidden in the wall.
- Only the face plate of the interior adjustable louvre is visible.

6



- On the outside wall, insert the pre-painted exterior weather louvre and spray cup into the cut-out and ensure the weather louvre and spray cup are correctly inserted into the Silenceair unit. Colour coordinated screws are provided with the weather louvre.
- Ensure the weather louvre and spray cup are in the correct orientation (Louvres facing down) and fix into place. A sealing bead around the inside edge of the fixing plate will help reduce the potential for water to penetrate around the opening.

7



- The Silenceair unit is completely hidden inside the wall cavity. Only the face of the pre-painted weather louvre is visible.
- The weather louvres can be factory painted to colour match the colour scheme of the building. Call us to discuss lead times to ensure there is adequate notice prior to the removal of the scaffolding.

NOTES

- Silenceair reserves the right to modify or reissue technical brochures without notice.
- © 2019 Silenceair International Pty Ltd. ABN 44 096 462 949
- Date of Publication: May 2019.

For more information please contact

www.silenceair.com enquiries@silenceair.com +61 2 9555 7215

Patents and Patents Pending. Silenceair is a registered trademark of Silenceair International Pty Limited