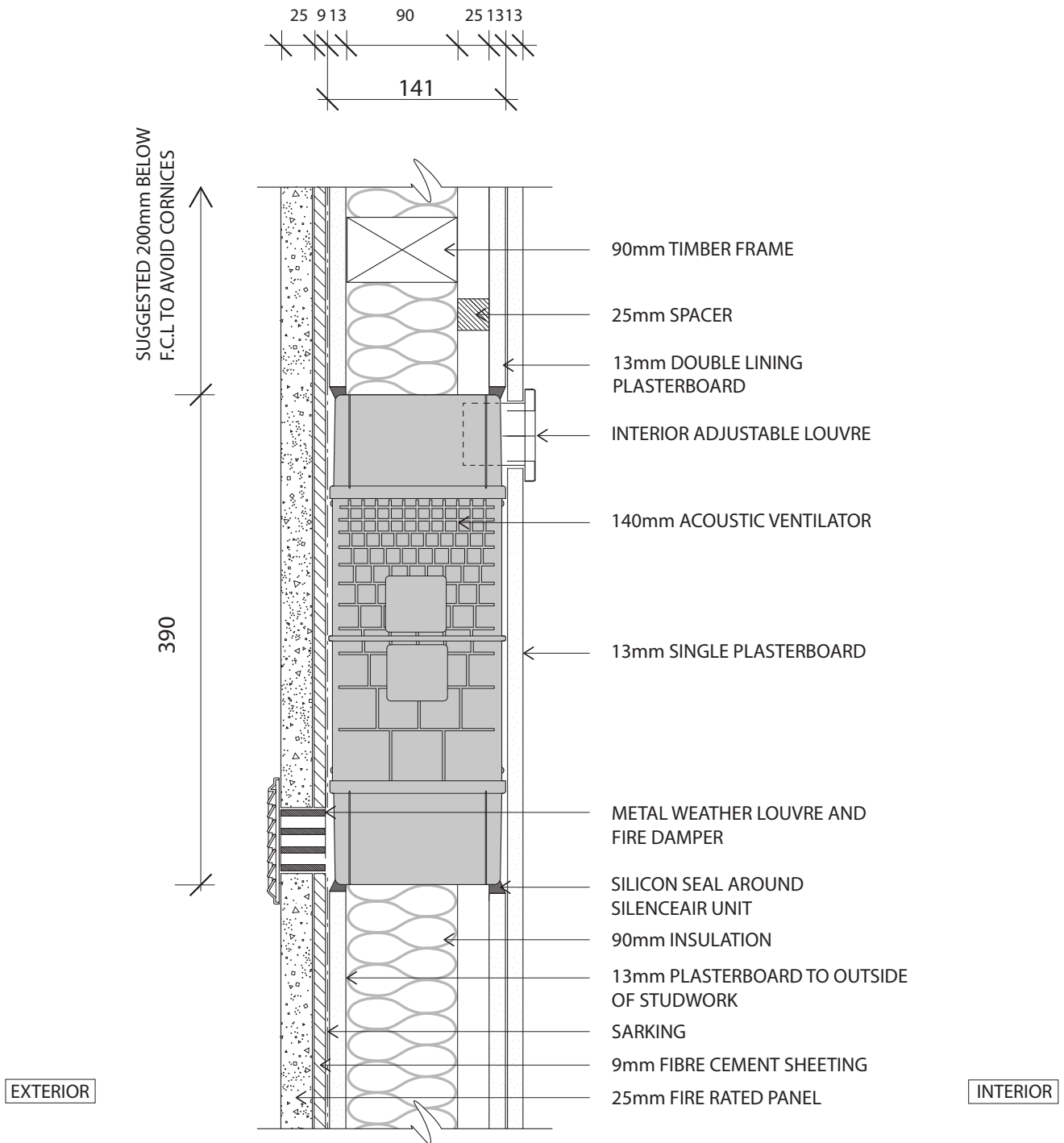
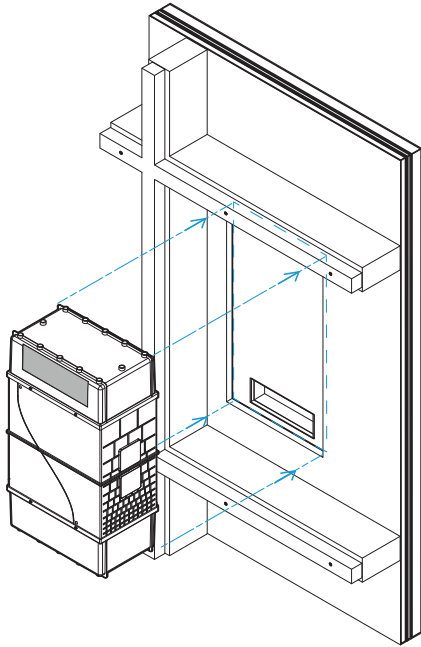


**140mm Acoustic Wall Ventilator
 Installed in External Fire rated Timber Frame wall system**

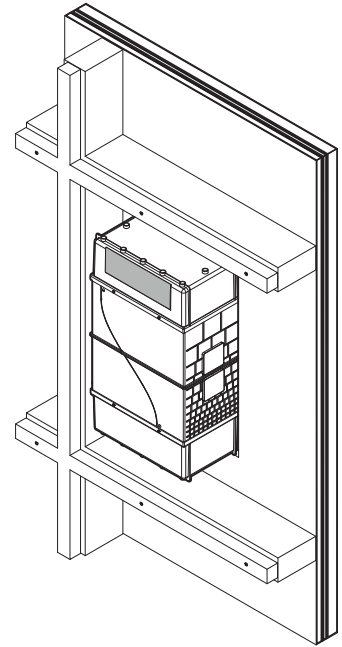


1



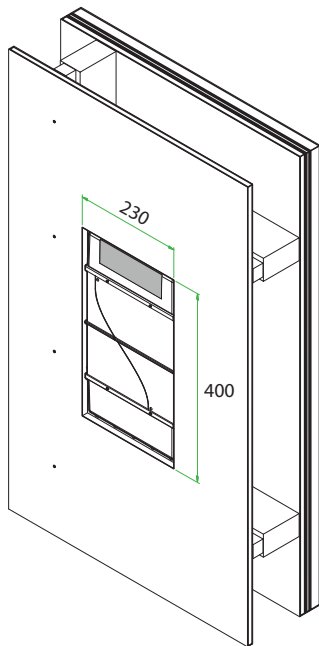
- Locate the Silenceair unit in the wall between studs and noggings.

2



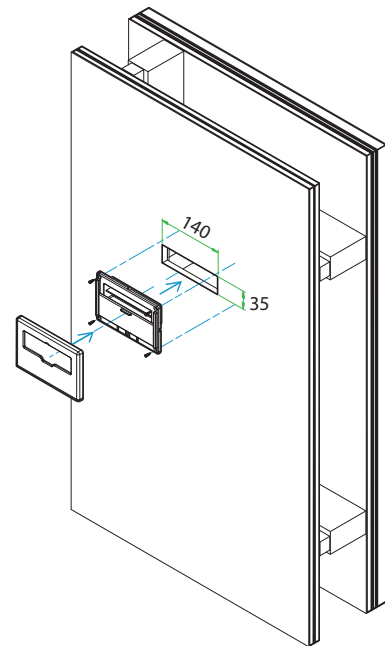
- Fix into place.
- Silicon seal around the cut-out in the sheet of plasterboard on the outside face of the studwork.

3



- For the interior face of the wall, fix the first layer of gyprock sheeting into place.
- Silicon seal around all the edges.

4



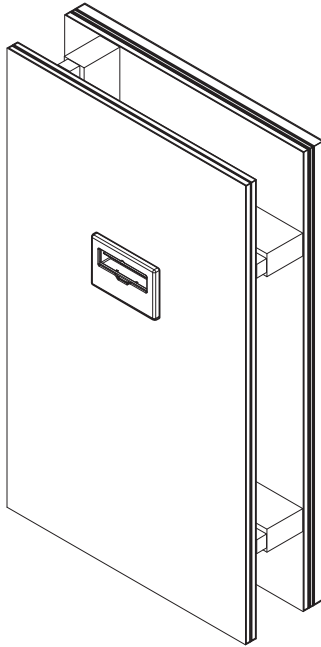
- Fix the second layer of gyprock sheeting into place.
- Install the fixing plate of the interior vent.
- After the wall is painted, snap fit the cover plate of the interior vent into place.

For more information please contact

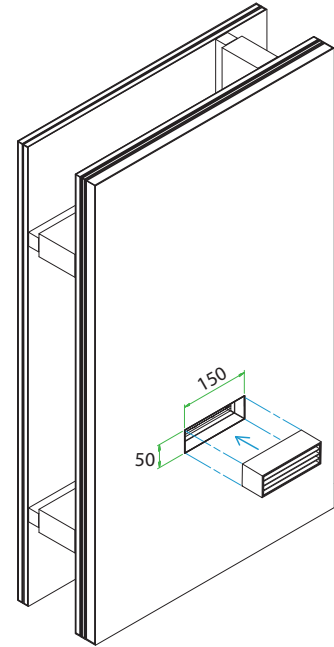
www.silenceair.com enquiries@silenceair.com +61 2 9555 7215

Patents and Patents Pending. Silenceair is a registered trademark of Silenceair International Pty Limited

5



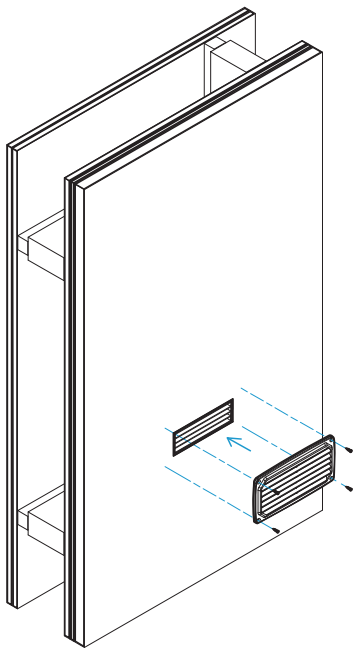
6



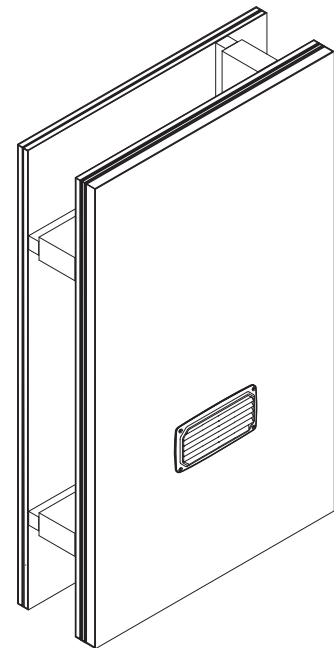
- The Silenceair acoustic ventilator is completely hidden inside the wall, all that is visible is the interior vent with its' adjustable louvre.

- On the outside wall, insert the intumescent fire damper into place in the prepared opening in the fire rated wall panel.
- Seal into place with approved fire rated sealant.

7



8



- Fix the non-combustible exterior weather louvre into place.

- All that is visible from the outside is the weather louvre. The Silenceair acoustic ventilator is completely hidden in the wall.

NOTES

- Silenceair reserves the right to modify or reissue technical brochures without notice.
- © 2018 Silenceair International Pty Ltd. ABN 44 096 462 949
- Date of Publication: October 2018.