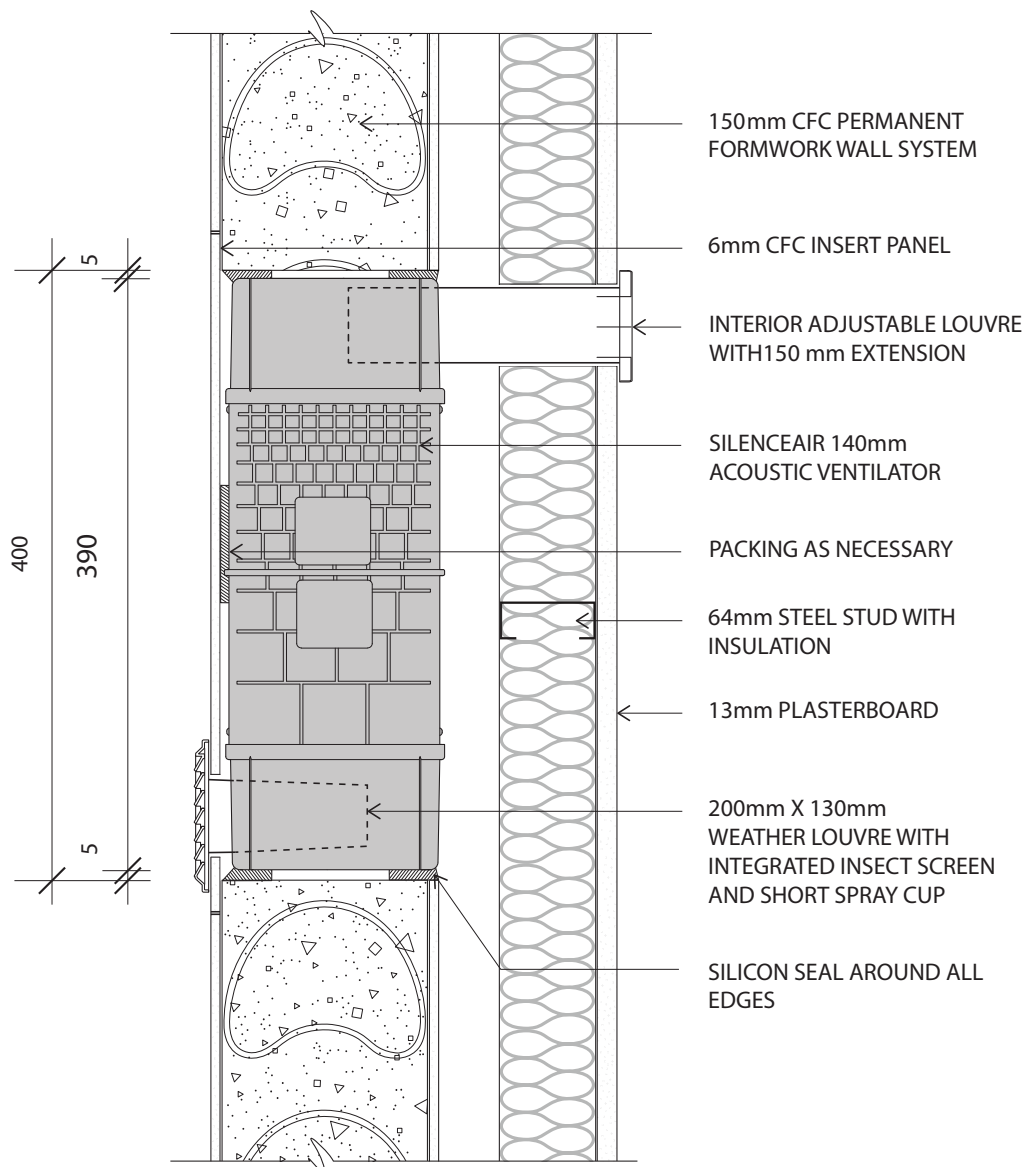
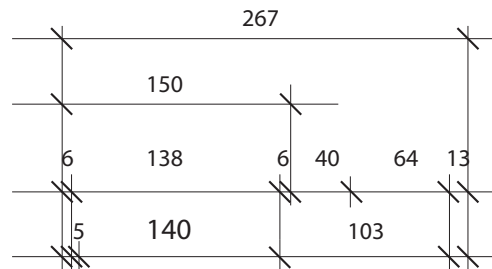


**140mm Acoustic Wall Ventilator  
 Installed in Permanent Formwork wall system with internal 64mm Studwork**

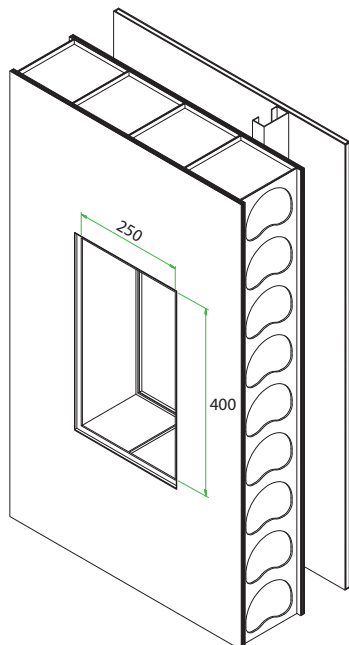


For more information please contact

[www.silenceair.com](http://www.silenceair.com) [enquiries@silenceair.com](mailto:enquiries@silenceair.com) +61 2 9555 7215

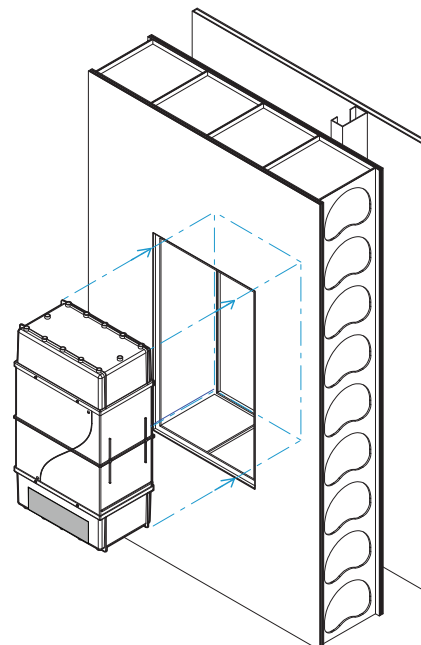
Patents and Patents Pending Silenceair is a registered trademark of Silenceair International Pty Limited

1



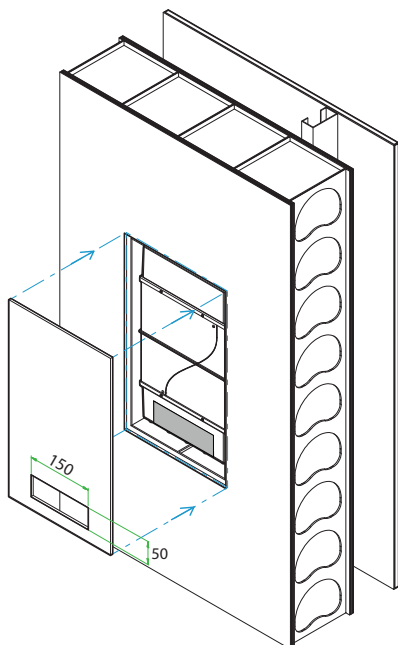
- Factory prepared opening in wall 250mm wide \* 400mm long.
- 15-20mm lip around opening to allow flush fixing of insert FC cover panel.

2



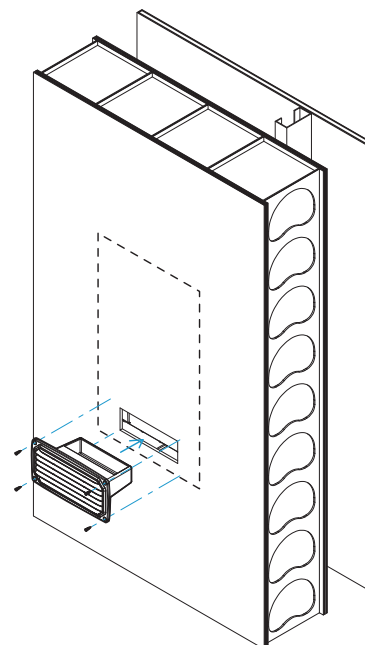
- Insert Silenceair unit into place.
- Ensure the unit is in the correct orientation. The unit is marked with the correct orientation for installation.
- Seal around all edges, front and back, to prevent sound waves entering the wall.

3



- Fix and set the FC cover plate into position.
- Ensure the 150mm \* 50mm opening aligns with the opening in the Silenceair unit.

4



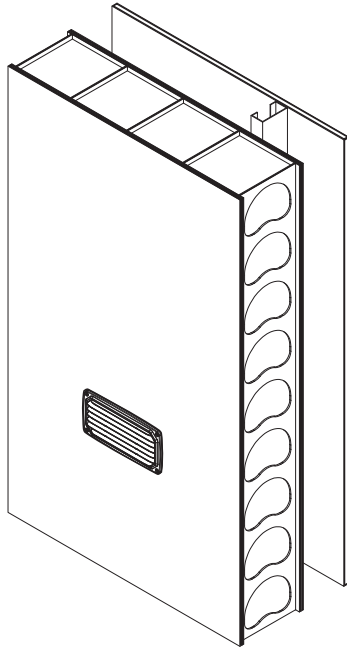
- After painting of the exterior wall, and before the scaffolding is removed, fix the pre-painted weather louvre into place.
- Ensure adequate lead time has been given to Silenceair to allow painting, curing and assembly of the exterior weather louvre.

For more information please contact

[www.silenceair.com](http://www.silenceair.com) [enquiries@silenceair.com](mailto:enquiries@silenceair.com) +61 2 9555 7215

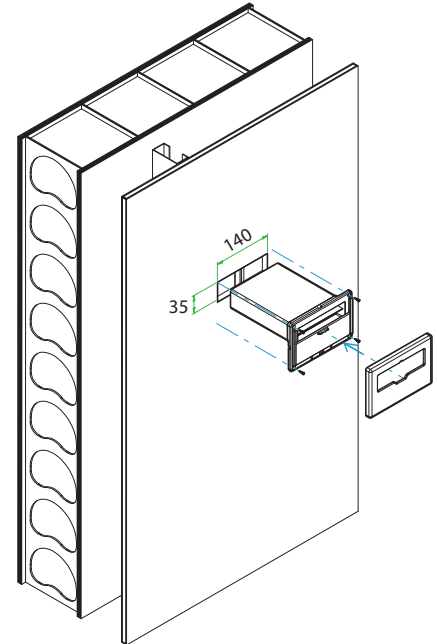
Patents and Patents Pending. Silenceair is a registered trademark of Silenceair International Pty Limited

5



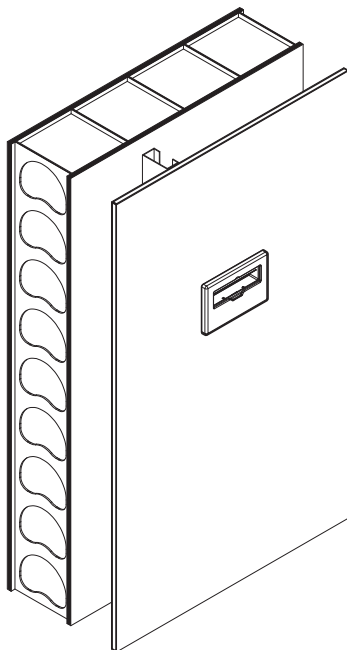
- Only the slim profile weather louvre is visible on the exterior face. The Silenceair unit is completely hidden in the wall.

6



- On the interior wall, mark the location of the Silenceair vent opening on the plasterboard lining before fixing the plasterboard.
- Provide a 140mm \* 35mm opening in the plasterboard.
- Ensure the opening lines up with the vent opening in the Silenceair unit.
- Set into place the interior vent fixing plate.
- After the walls have been painted, snap fit the cover late into position.

7



- Only the adjustable vent cover is visible on the interior wall.
- The Silenceair unit is completely hidden in the wall.

## NOTES

- Silenceair reserves the right to modify or reissue technical brochures without notice.
- © 2018 Silenceair International Pty Ltd.  
ABN 44 096 462 949
- Date of Publication: October 2018.

For more information please contact

[www.silenceair.com](http://www.silenceair.com) [enquiries@silenceair.com](mailto:enquiries@silenceair.com) +61 2 9555 7215

Patents and Patents Pending. Silenceair is a registered trademark of Silenceair International Pty Limited