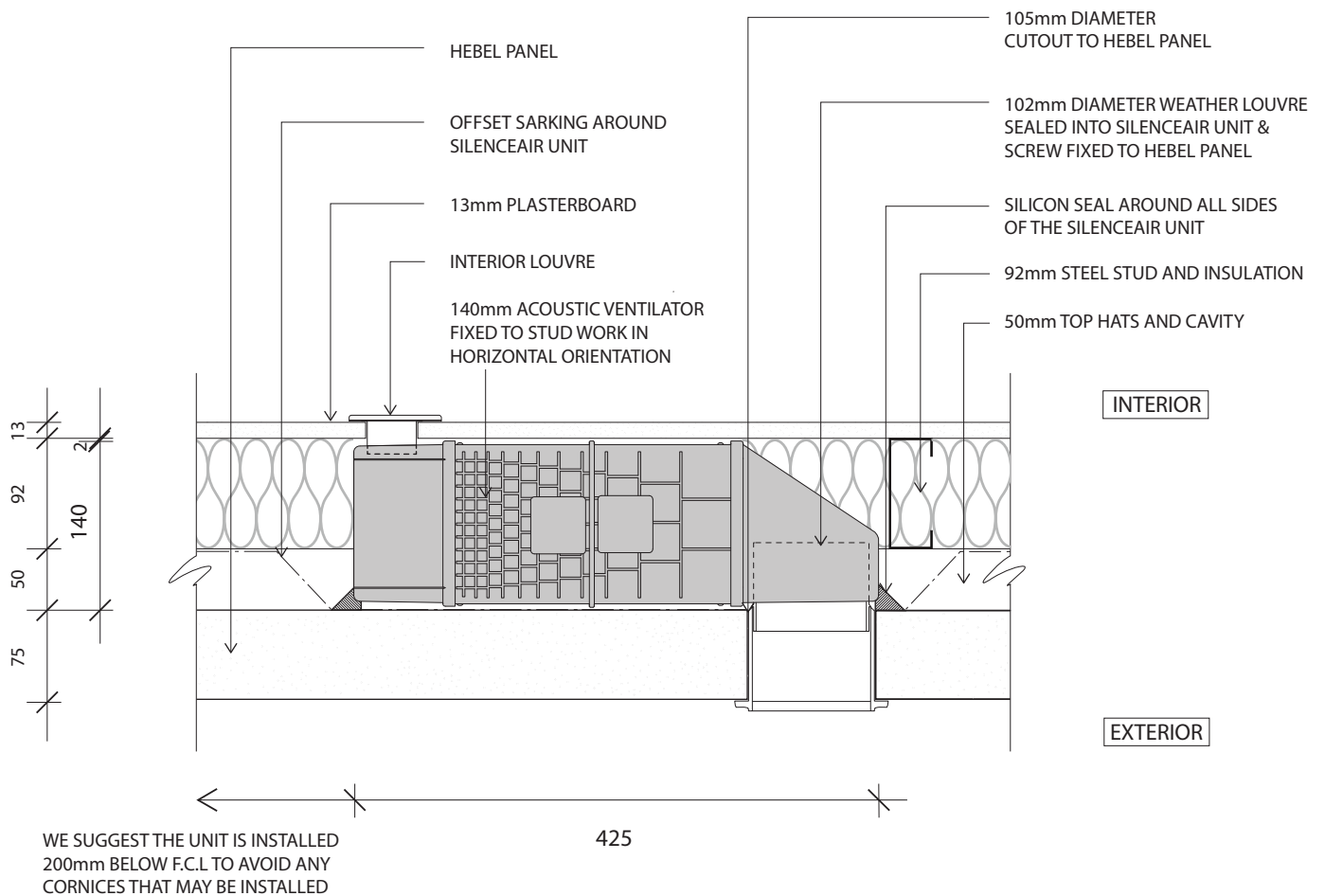
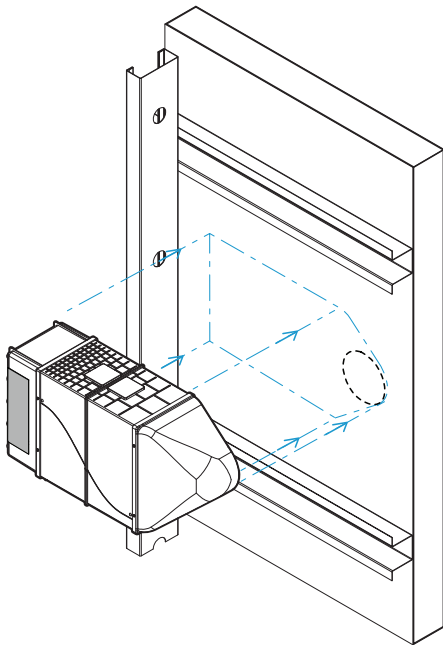


**140mm Acoustic Wall Ventilator
 Installed in horizontal orientation in Hebel Panel wall system**



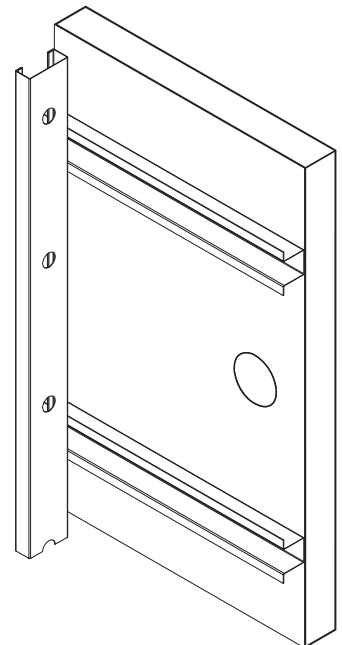
PLAN VIEW

1



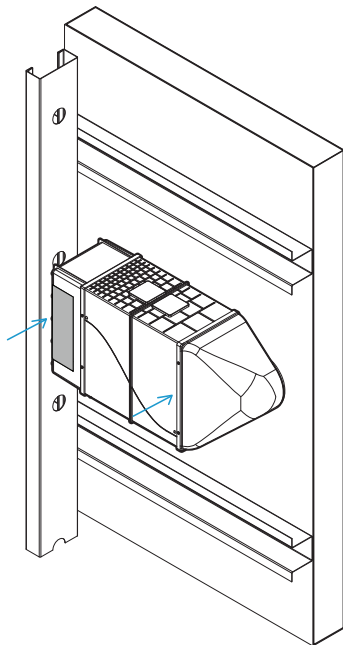
- Identify the correct location for the Silenceair unit against the Hebel Panel and keep clear of studs and top hats.
- Mark the location of the circular exterior vent on the Hebel Panel.

2



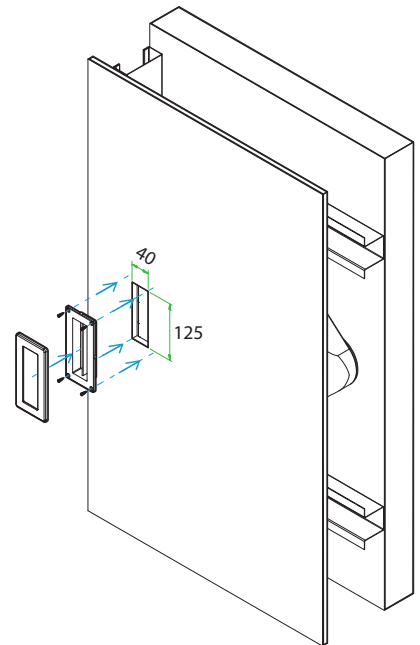
- Cut a 105mm diameter hole in the Hebel Panel to allow adequate clearance for the 102mm diameter weather louvre.

3



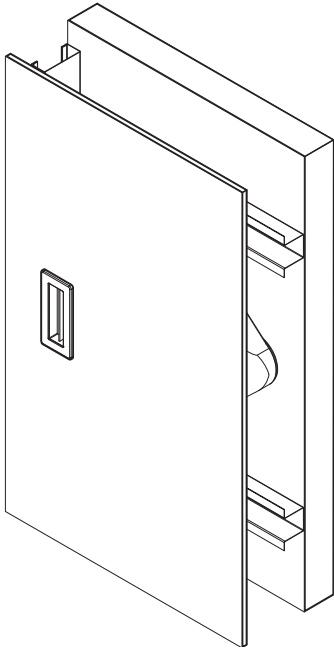
- Fix the Silenceair unit into location. The unit is robust, and can be either glued to the Hebel or screwed to the studwork.

4



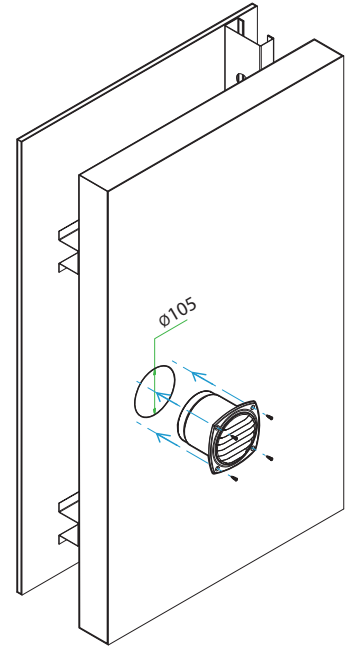
- Before fixing the plaster board interior lining into place, identify the position of the interior air passage of the Silenceair and cut a 40mm*125mm hole in the plasterboard.
- After painting the wall, the interior vent can be fixed into position and the vent cover snap fitted into place.

5



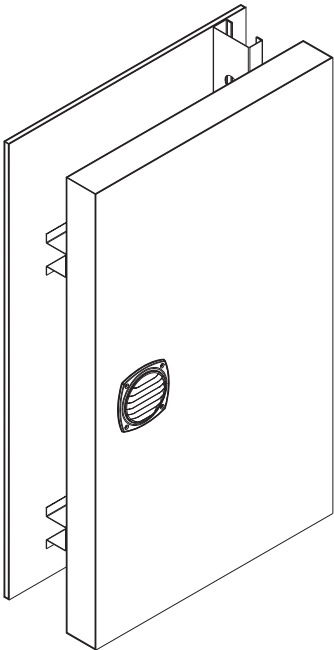
- The Silenceair unit is completely hidden in the wall. Only the vent cover is visible on the inside.

6



- On the exterior wall, wait until the exterior finish and paint has been applied and then fix the exterior weather louvre into place.
- Ensure the weather louvre and spray catcher are in the correct orientation.
- Apply a silicon seal around the flange before inserting into the wall and screw fix into place.

7



- The Silenceair unit is completely hidden in the wall. Only the colour coordinated weather louvre is visible on the outside wall.
- The weather louvre can be factory painted to colour match the colour scheme of the building. Call us to discuss lead times to ensure there is adequate notice prior to the removal of the scaffolding.

NOTES

- Silenceair reserves the right to modify or reissue technical brochures without notice.
- © 2018 Silenceair International Pty Ltd. ABN 44 096 462 949
- Date of Publication: October 2018.

For more information please contact

www.silenceair.com enquiries@silenceair.com +61 2 9555 7215

Patents and Patents Pending. Silenceair is a registered trademark of Silenceair International Pty Limited