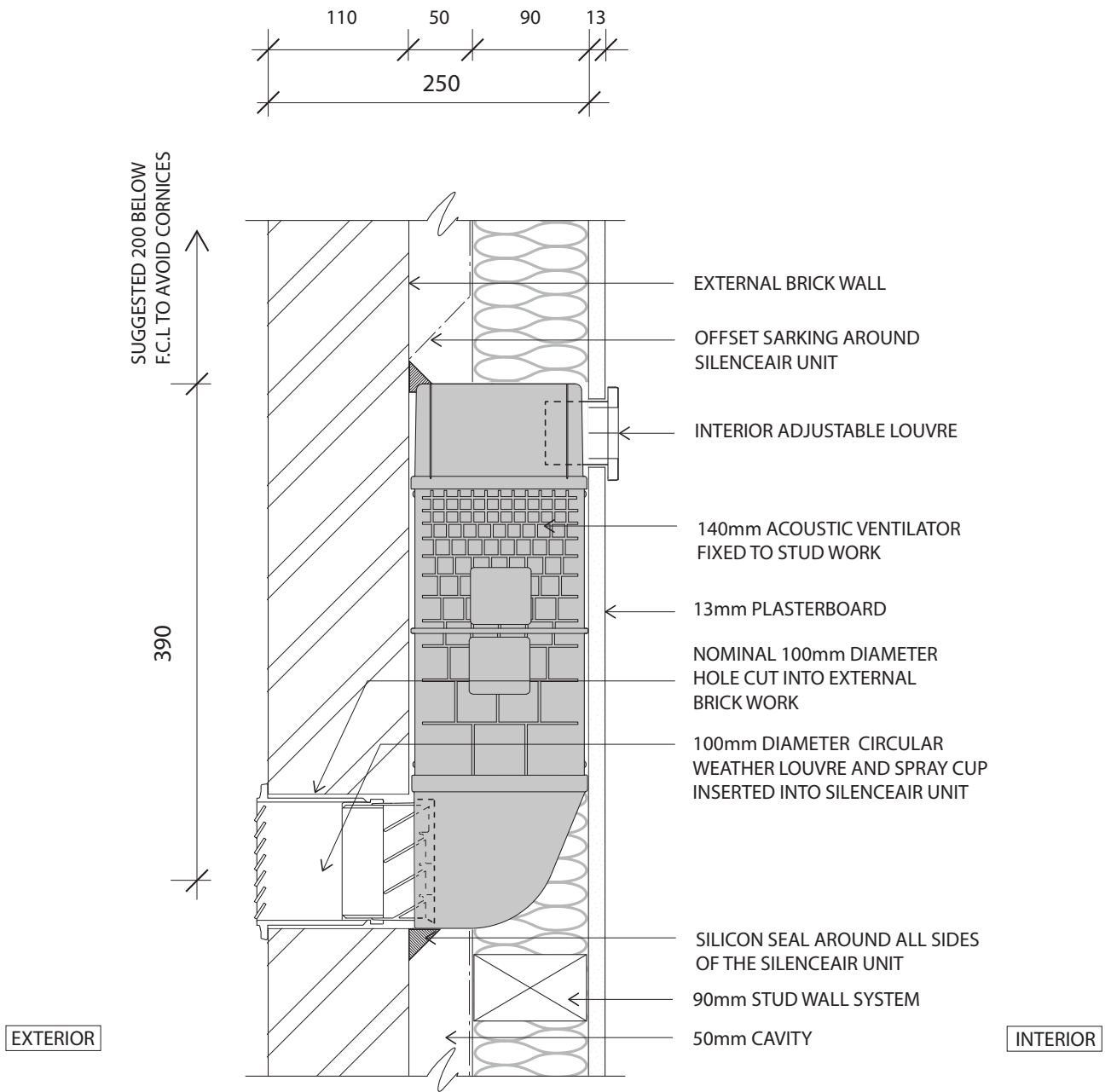
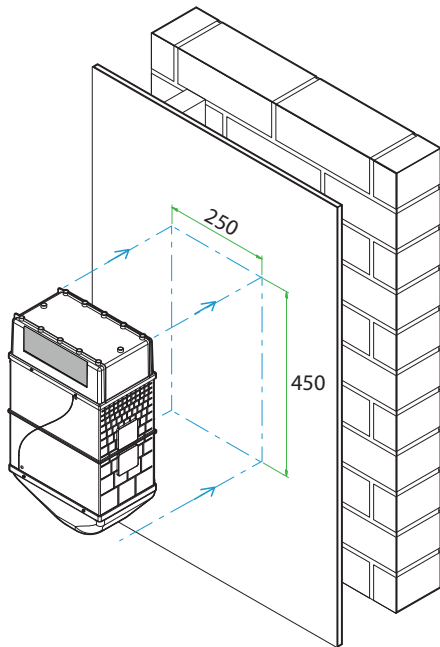


**140mm Acoustic Wall Ventilator
 Retrofitting into a 250mm in Brick Veneer wall system**

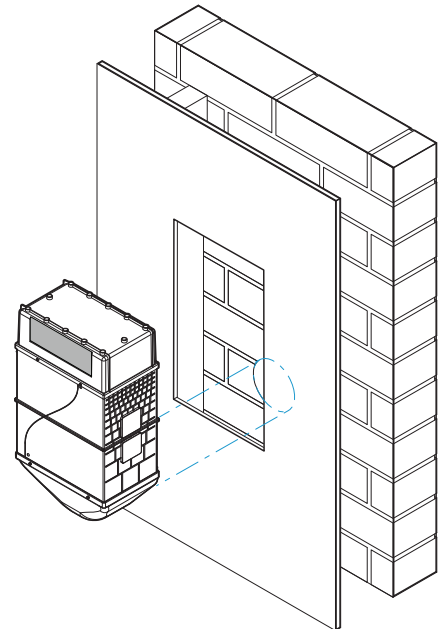


1



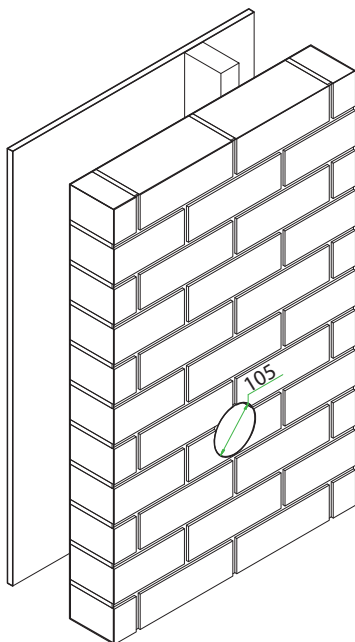
- Mark the preferred location of the Silenceair unit on the interior face of the plasterboard wall. Ensure the Silenceair unit is the correct orientation.
- Carefully cut out the plasterboard.

2



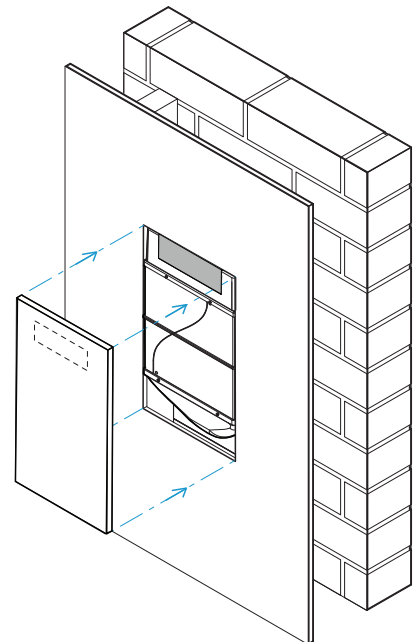
- Mark the location of the circular air intake on the brickwork and drill a pilot hole through to the exterior of the brickwork.

3



- From the outside of the wall, using the pilot hole as a guide, drill a nominal 105mm diameter hole through the brickwork.

4



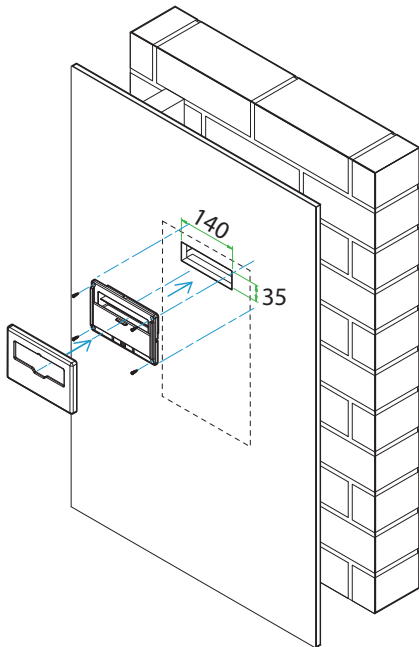
- On the inside, insert the Silenceair unit into position and screw fix to the studwork or glue directly onto the brickwork.
- Refix the plasterboard section into place and make good in accordance with manufacturers recommended procedures.
- Ensure the location of the interior vent opening is marked on the plasterboard.

For more information please contact

www.silenceair.com enquiries@silenceair.com +61 2 9555 7215

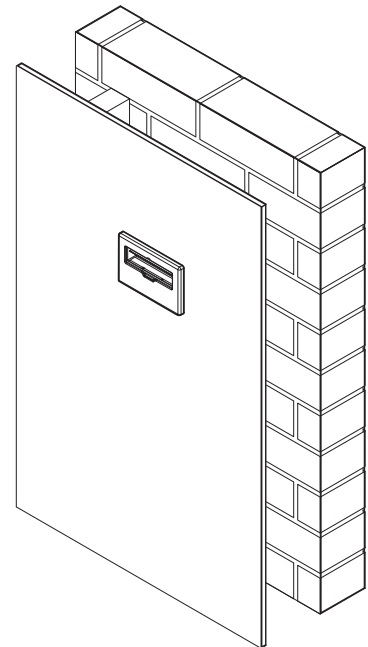
Patents and Patents Pending. Silenceair is a registered trademark of Silenceair International Pty Limited

5



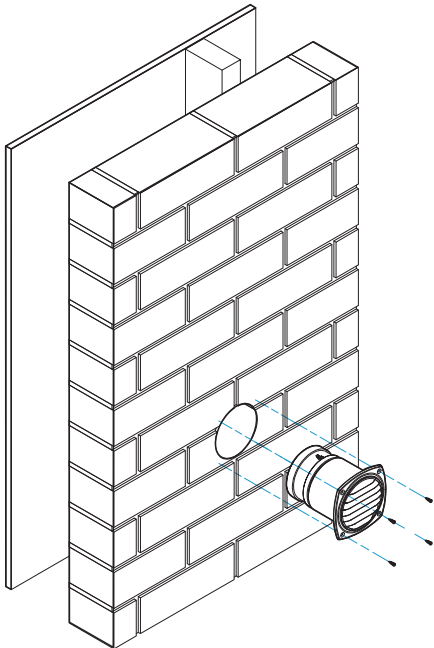
- Cut a 140mm wide * 35mm high hole in the plasterboard. Ensure the cut-out in the plasterboard lines up with the interior vent opening of the Silenceair unit.
- Fix the interior adjustable louvre into place on the plasterboard.
- Snap fit the cover plate into position after the wall has been painted.

6



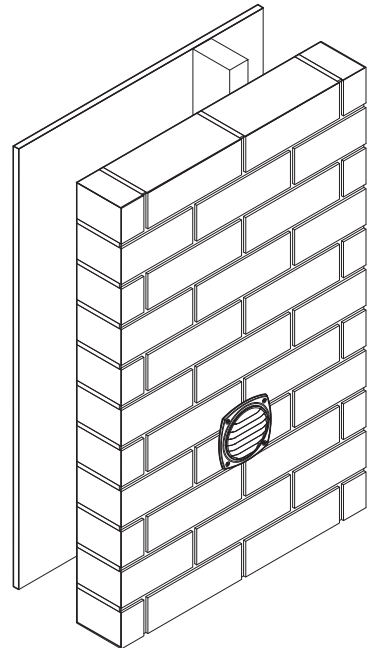
- The Silenceair unit is completely hidden in the wall.
- Only the face plate of the interior adjustable louvre is visible.

7



- From the outside insert the 100mm diameter weather louvre and storm cup into position. Ensure it is in the correct orientation and that it is fitted into the opening in the Silenceair unit.

8



- From the outside, the Silenceair unit is completely hidden inside the wall cavity. Only the face of the pre-painted weather louvre is visible.
- The weather louvres can be factory painted to colour match the colour scheme of the building. Call us to discuss lead times to ensure there is adequate notice prior to the removal of the scaffolding.

NOTES

- Silenceair reserves the right to modify or reissue technical brochures without notice.
- © 2018 Silenceair International Pty Ltd. ABN 44 096 462 949
- Date of Publication: October 2018.

For more information please contact

www.silenceair.com enquiries@silenceair.com +61 2 9555 7215

Patents and Patents Pending. Silenceair is a registered trademark of Silenceair International Pty Limited