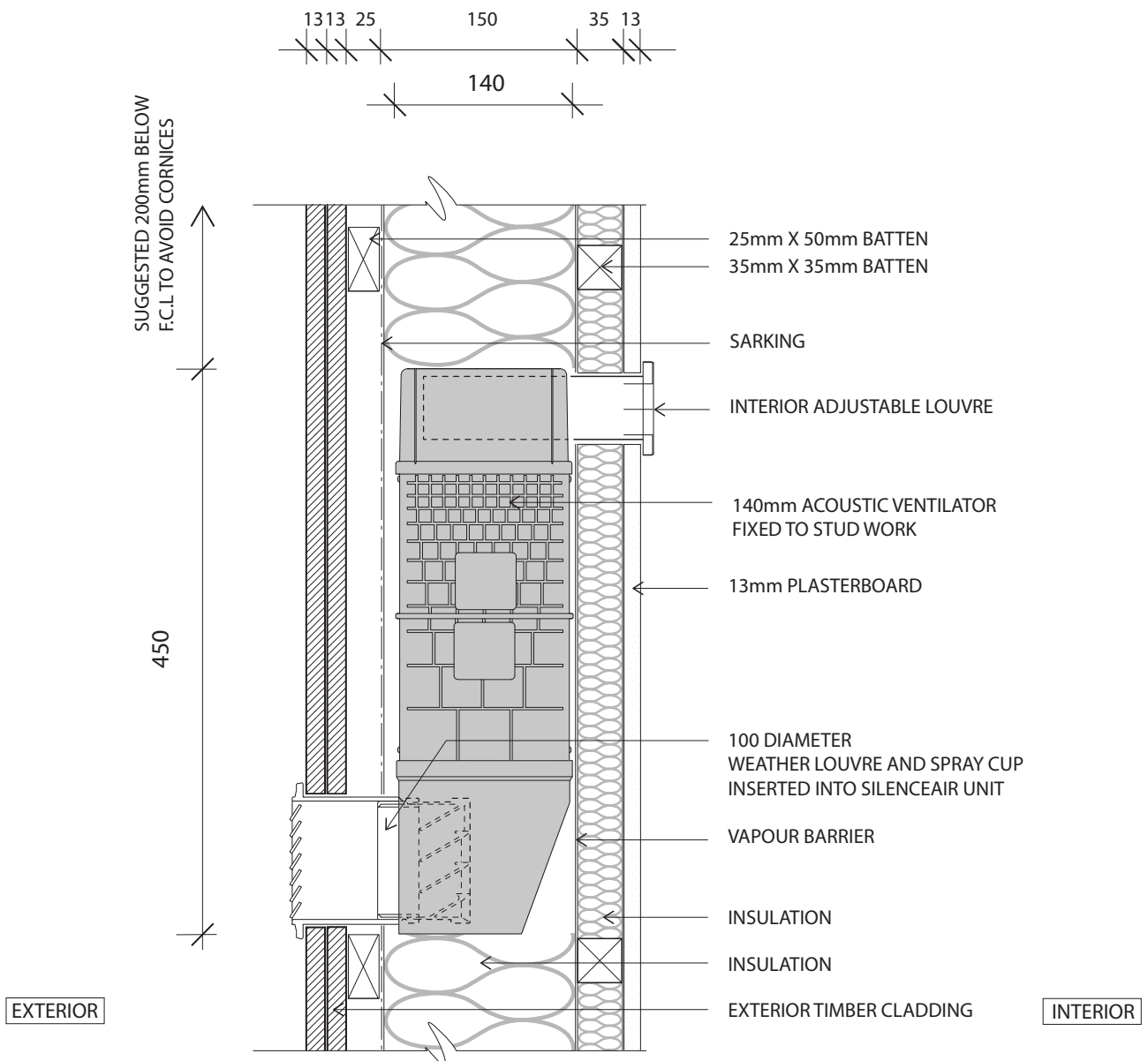


**140mm Acoustic Wall Ventilator
 Installed in 150mm Studwork wall system**

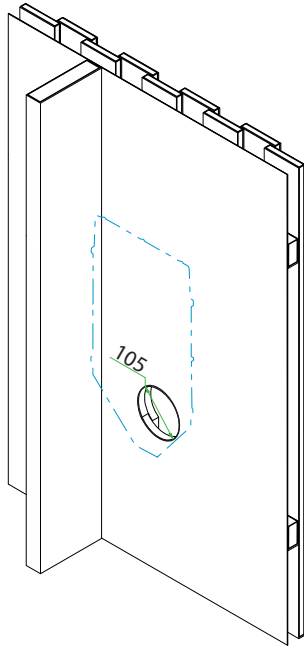


For more information please contact

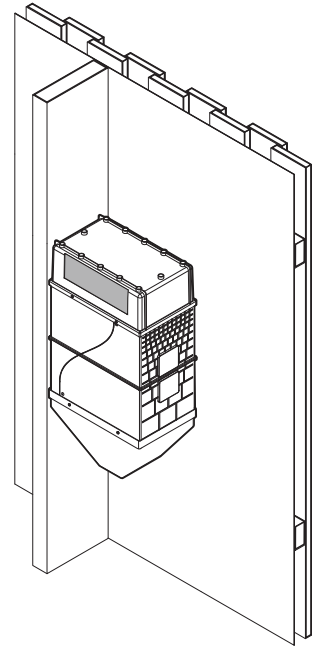
www.silenceair.com enquiries@silenceair.com +61 2 9555 7215

Patents and Patents Pending Silenceair is a registered trademark of Silenceair International Pty Limited

1



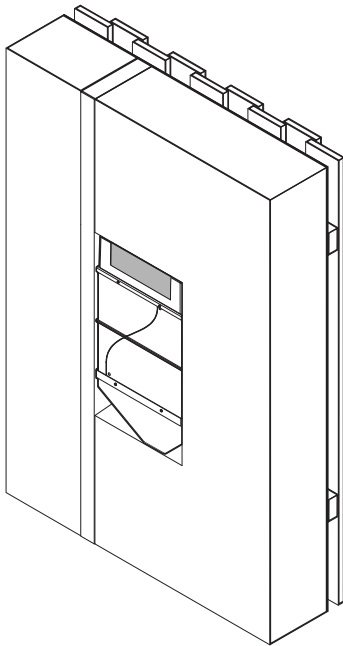
2



- Mark the chosen location of the Silenceair unit and cut a 105mm diameter hole through the exterior cladding.

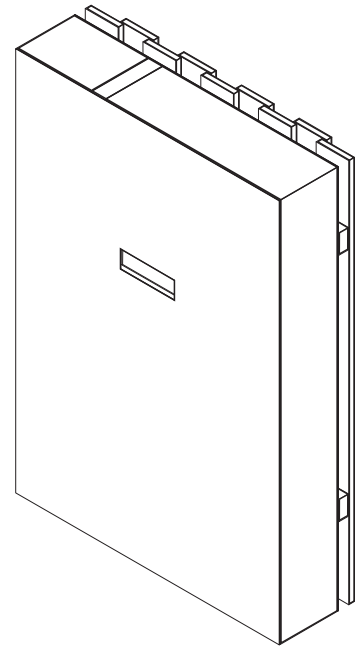
- Screw fix the Silenceair acoustic ventilation module to the studwork.

3



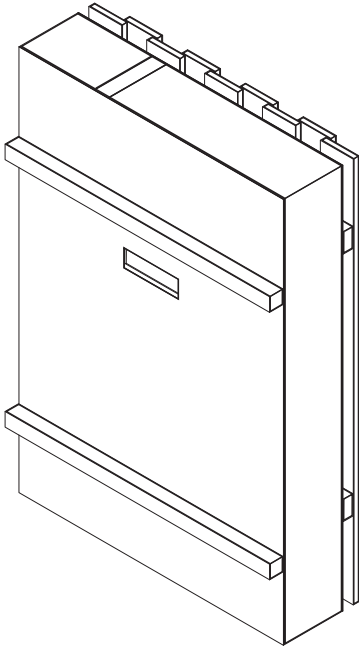
- Install insulation around the Silenceair unit.

4



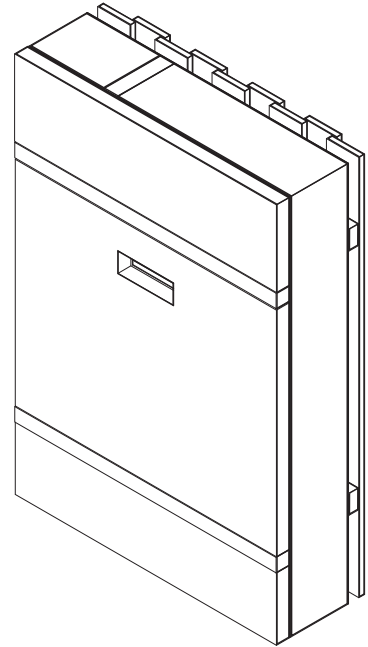
- Install the vapour barrier. Cut the vapour barrier to allow access to the ventilation outlet port.

5



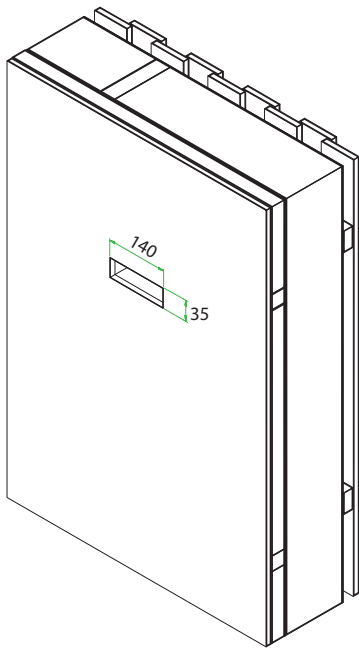
- Install the interior battens.

6



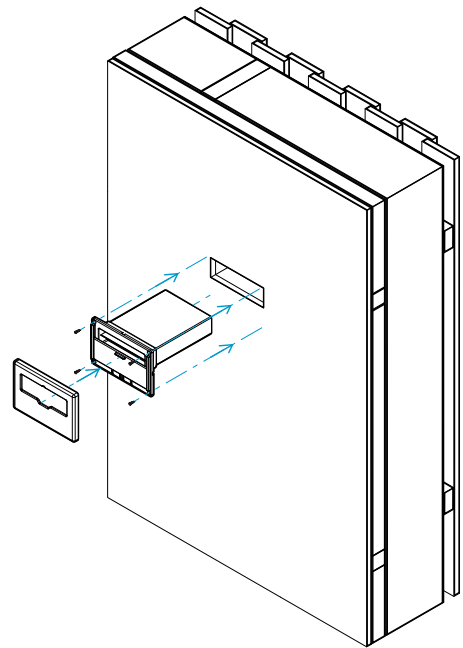
- Install the interior insulation. Keep clear the ventilation outlet port.

7



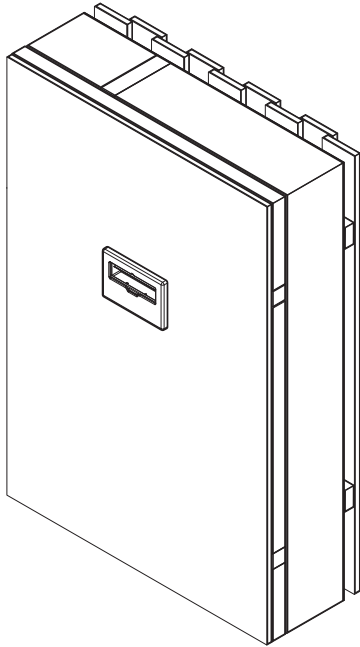
- Install the interior plasterboard drywall lining. Mark and cutout the vent opening.

8



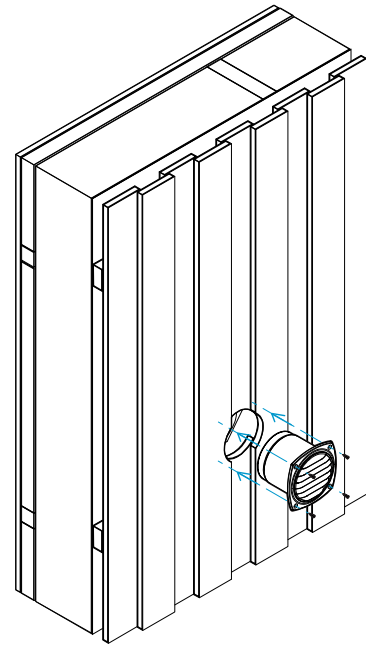
- After painting, fix the adjustable interior vent into location.

9



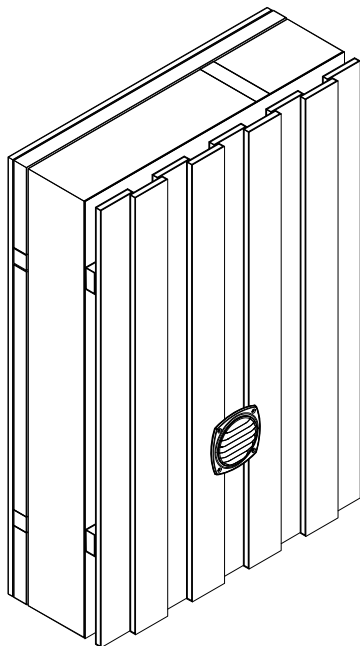
- The Silenceair module is completely hidden in the wall only the vent cover is visible.

10



- From the outside, insert the 100mm diameter weather louvre and storm barrier through the opening and seal and fix into place. Ensure it is in the correct orientation.

11



- Only the colour coordinated weather louvre is visible from the outside. The Silenceair module is discretely hidden from view in the wall cavity.

NOTES

- Silenceair reserves the right to modify or reissue technical brochures without notice.
- © 2019 Silenceair International Pty Ltd.
ABN 44 096 462 949
- Date of Publication: March 2019.