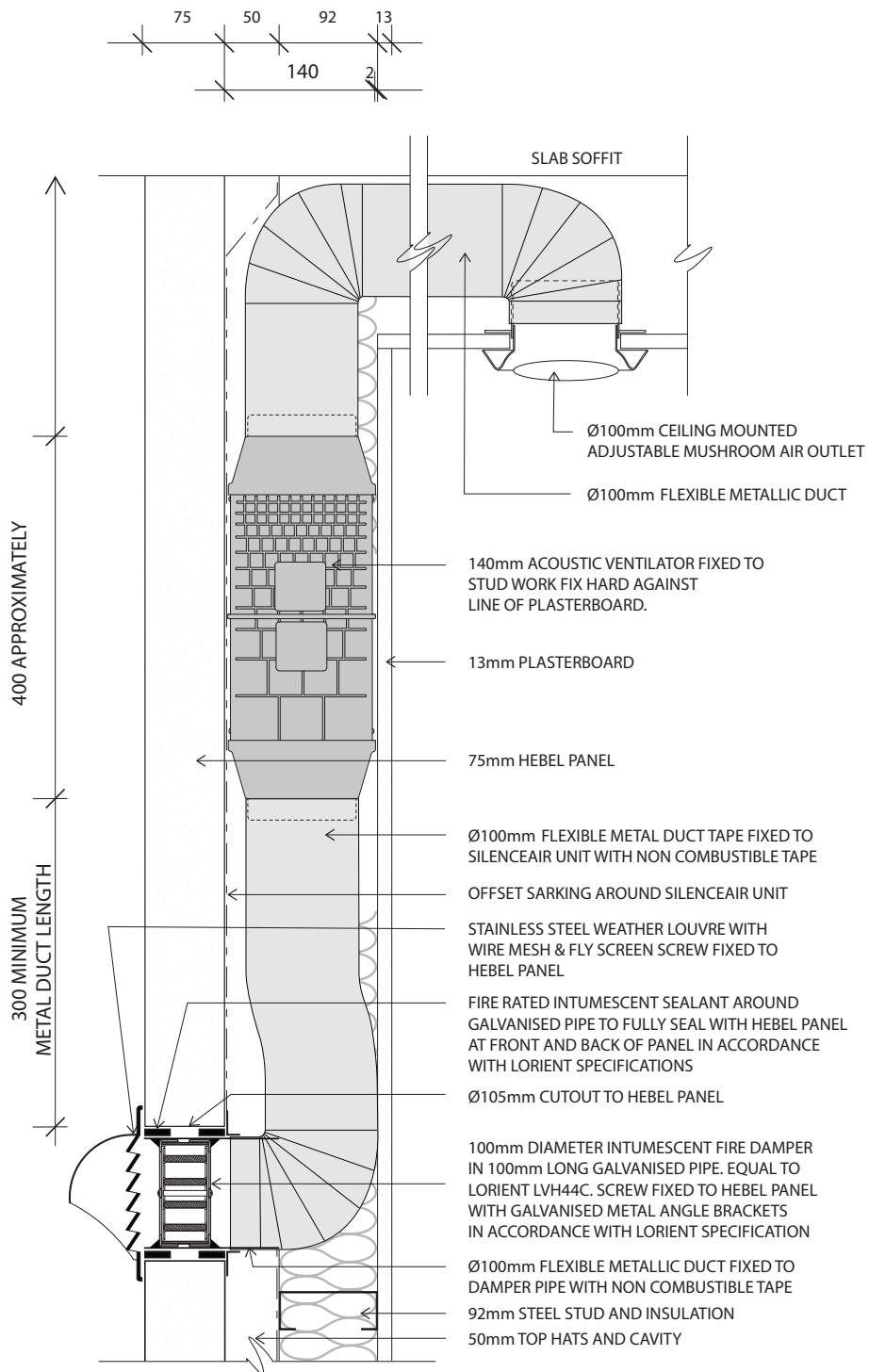


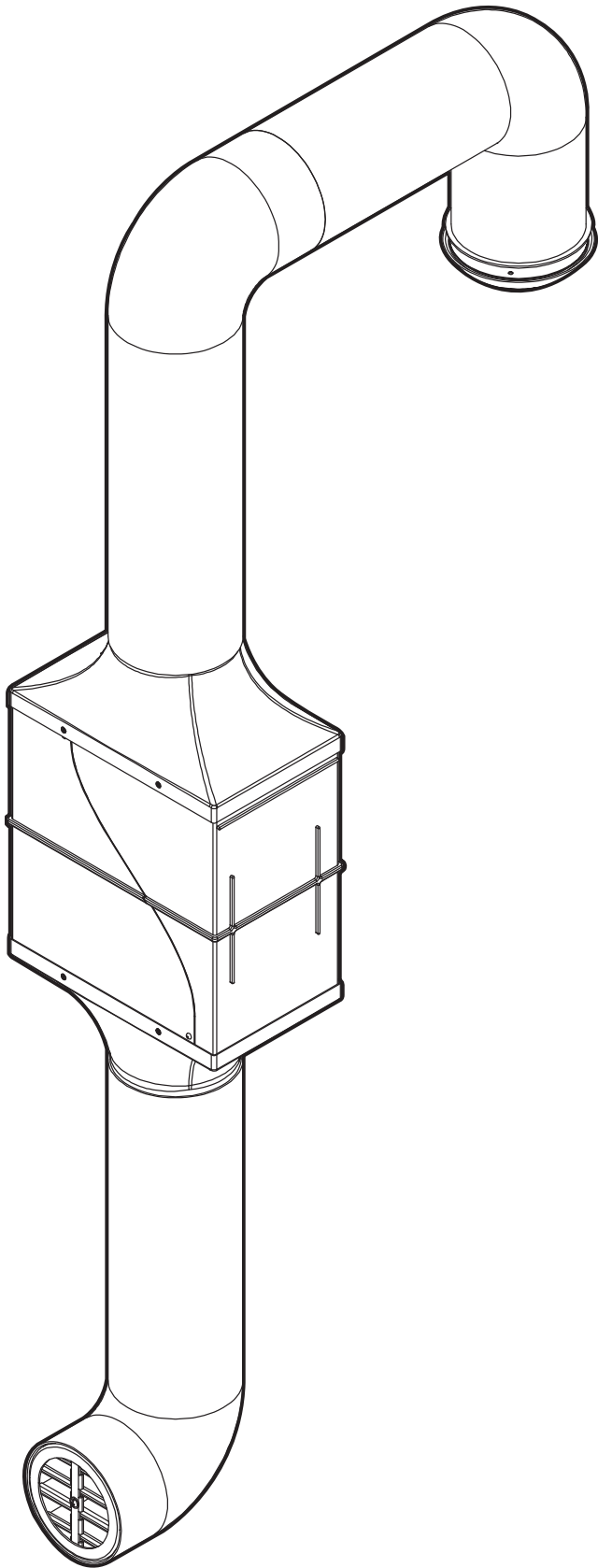
**140mm Acoustic Wall Ventilator  
 Installed in Fire rated Hebel Panel wall system**



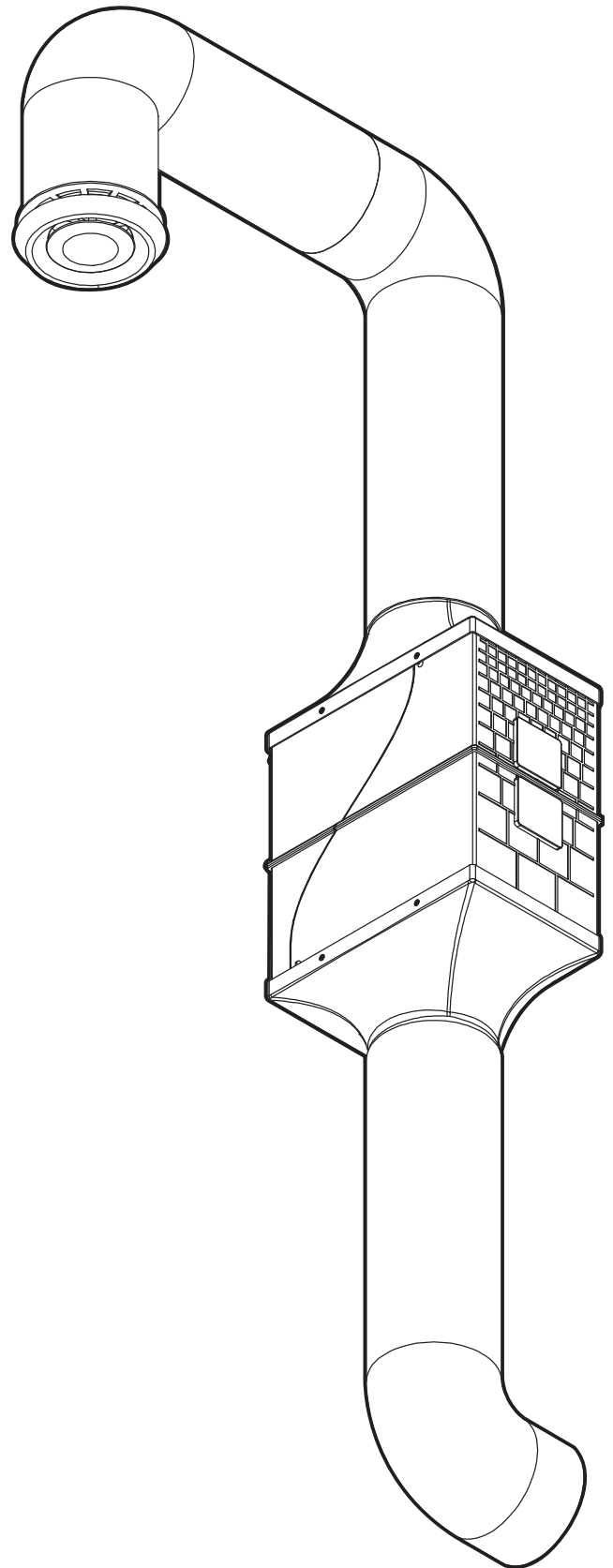
For more information please contact

[www.silenceair.com](http://www.silenceair.com) [enquiries@silenceair.com](mailto:enquiries@silenceair.com) +61 2 9555 7215

Patents and Patents Pending Silenceair is a registered trademark of Silenceair International Pty Limited



OUTSIDE VIEW



INSIDE VIEW