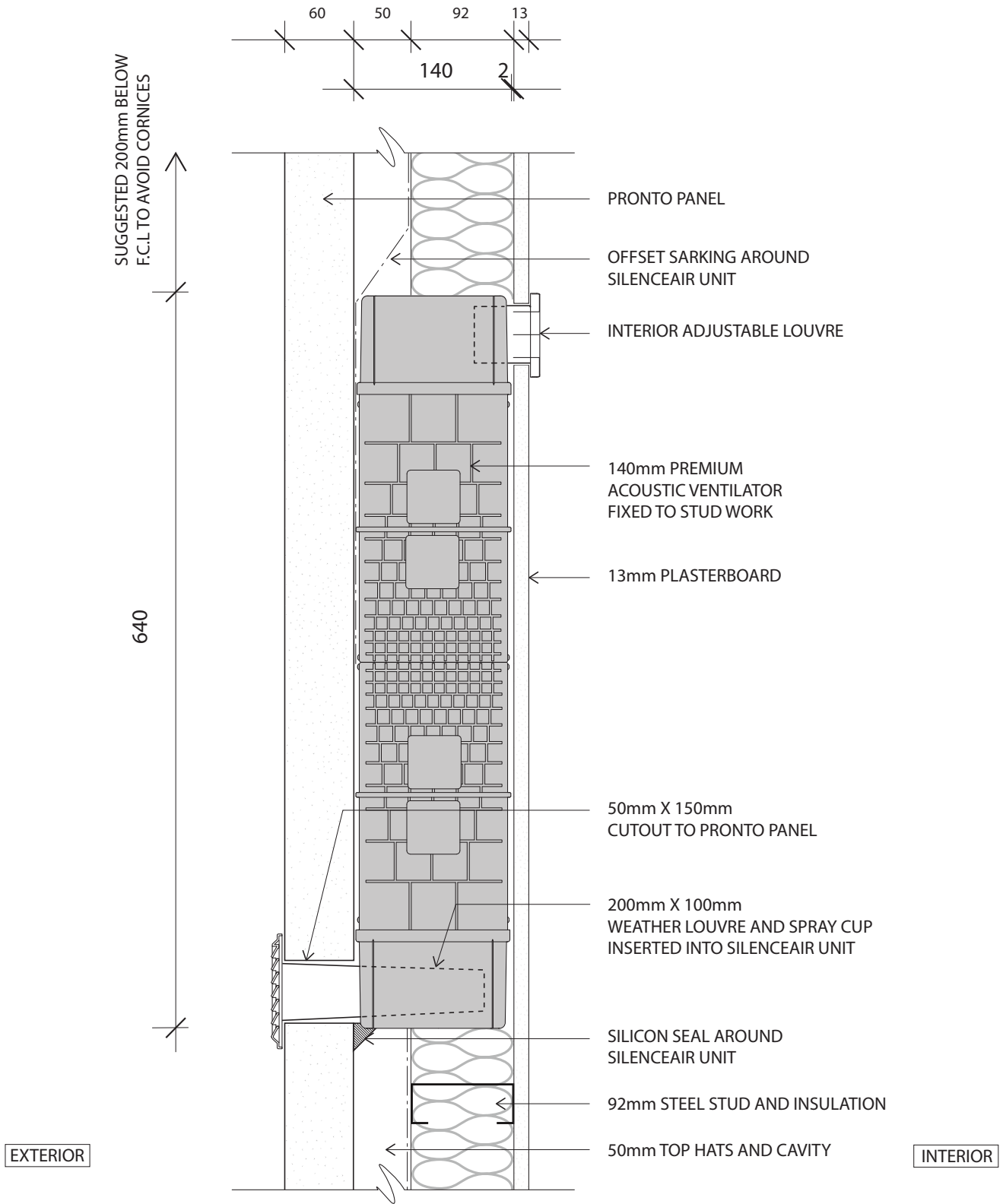
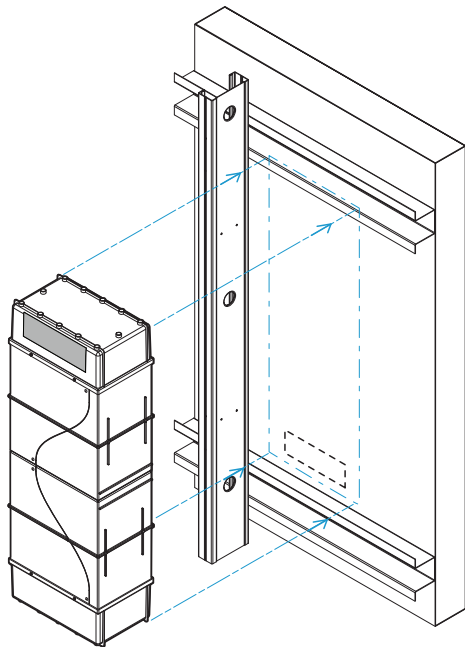


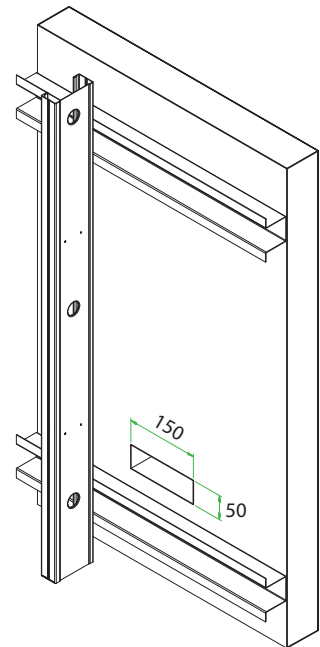
**140mm Premium Acoustic Wall Ventilator
 Installed in Pronto Panel wall system**



1



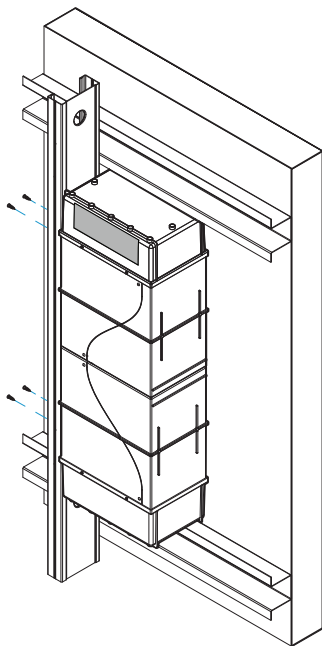
2



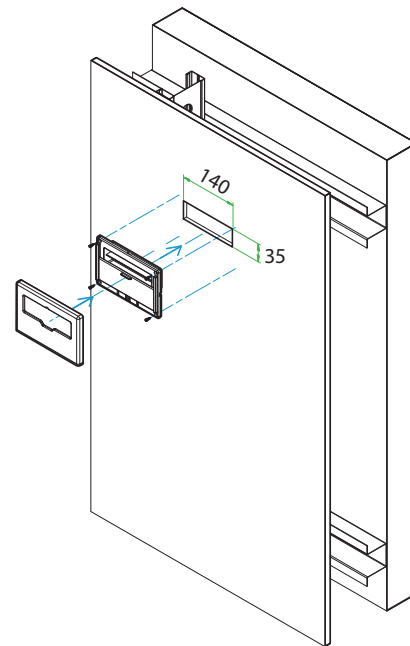
- Locate the Silenceair unit on the inside face of the Pronto panel in the desired fixing location. The Silenceair unit has clear instructions written on it for the correct orientation of the unit.
- Mark the position of the external vent opening on the Pronto panel to line up with the external vent opening on the Silenceair unit.

- Cut a 150mm wide * 50mm high opening in the Pronto panel for the external weather louvre.

3



4



- Screw fix the Silenceair unit into position through the 92mm stud or directly onto the Pronto panel. The unit is robust and can be screwed or glued into position without affecting the performance of the unit.
- Seal around the edges to ensure a close fit to the Pronto panel.

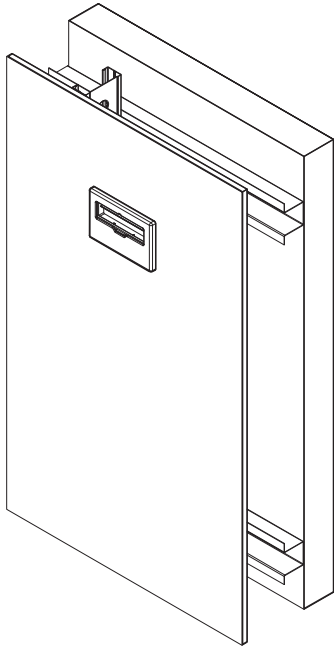
- Mark the location of the interior vent opening onto the plasterboard interior lining.
- Fix the interior plasterboard sheet into position.
- Cut a 140mm * 35mm high hole in the plasterboard. Ensure the cut-out in the plaster board lines up with the interior opening in the Silenceair unit.
- Fix the interior adjustable louvre into place on the plasterboard after the wall has been painted.

For more information please contact

www.silenceair.com enquiries@silenceair.com +61 2 9555 7215

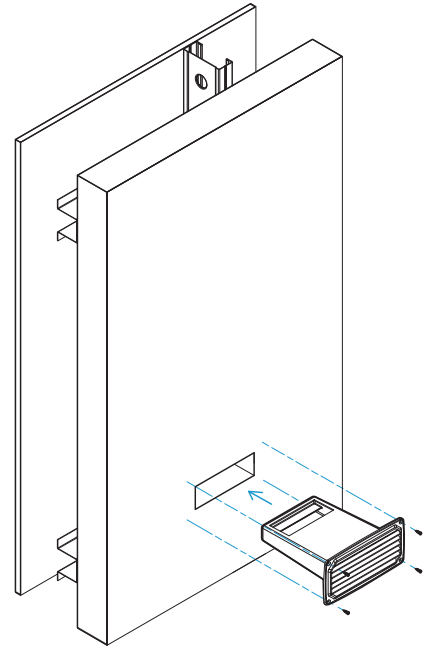
Patents and Patents Pending. Silenceair is a registered trademark of Silenceair International Pty Limited

5



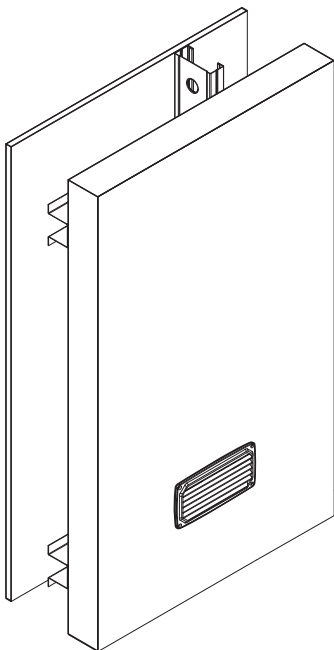
- The Silenceair unit is completely hidden in the wall.
- Only the face plate of the interior adjustable louvre is visible.

6



- When the exterior face of the Pronto panel has been painted, insert the pre-painted Silenceair exterior weather louvre and spray cup into the cut-out and ensure the weather louvre and spray cup are correctly inserted into the Silenceair unit.
- Ensure the weather louvre and spray cup are in the correct orientation (Louvres facing down).
- Fix into place.

7



- The Silenceair unit is completely hidden inside the wall cavity. Only the face of the pre-painted weather louvre is visible.
- The weather louvres can be factory painted to colour match the colour scheme of the building. Call us to discuss lead times to ensure there is adequate notice prior to the removal of the scaffolding.

NOTES

- Silenceair reserves the right to modify or reissue technical brochures without notice.
- © 2018 Silenceair International Pty Ltd.
ABN 44 096 462 949
- Date of Publication: October 2018.

For more information please contact

www.silenceair.com enquiries@silenceair.com +61 2 9555 7215

Patents and Patents Pending. Silenceair is a registered trademark of Silenceair International Pty Limited