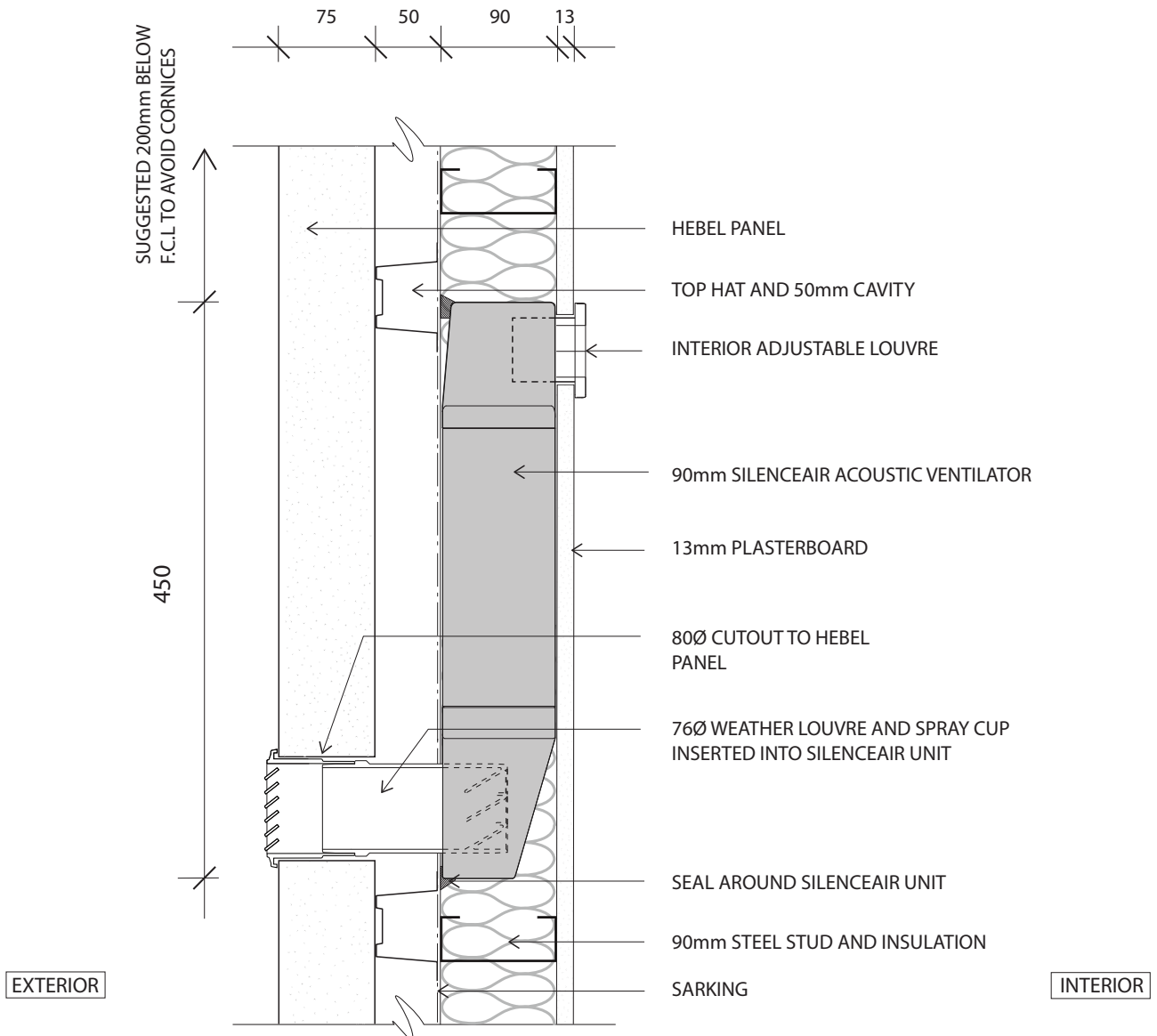


**90mm Acoustic Wall Ventilator  
 Installed in Hebel wall system**

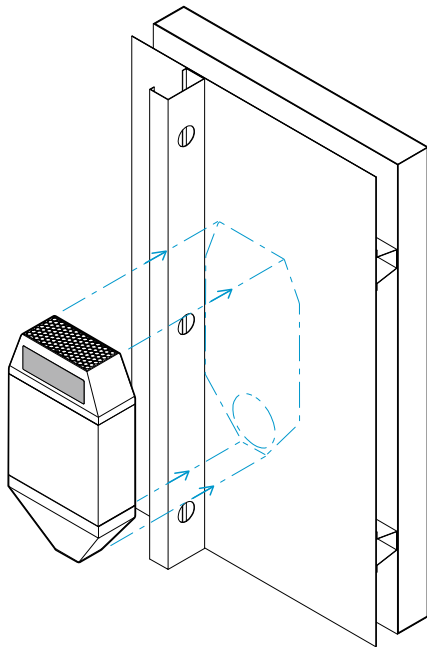


For more information please contact

[www.silenceair.com](http://www.silenceair.com) [enquiries@silenceair.com](mailto:enquiries@silenceair.com) +61 2 9555 7215

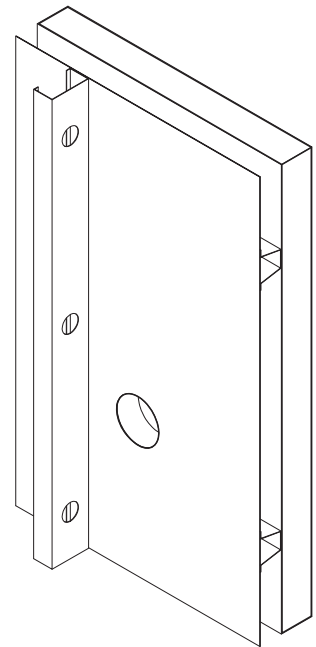
Patents and Patents Pending Silenceair is a registered trademark of Silenceair International Pty Limited

1



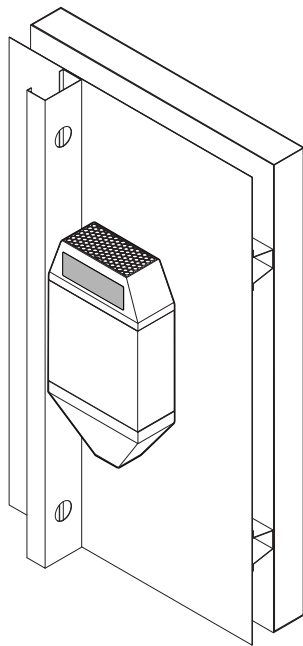
- Locate the Silenceair module on the wall.
- Mark the location of the air inlet opening on the wall with a small pilot hole.
- Ensure the air inlet is in the desired location on the exterior panel.

2



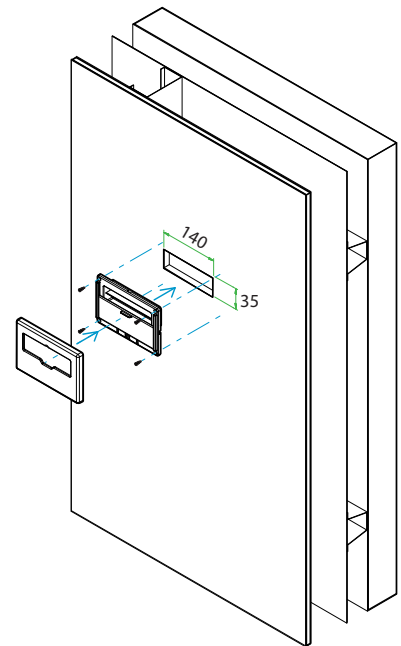
- Drill a 80mm diameter hole through the exterior cladding.

3



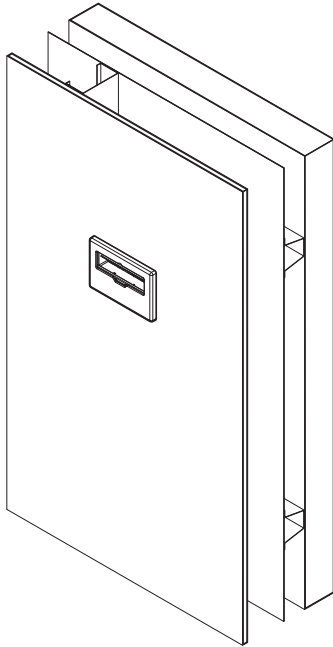
- Fix the Silenceair into position.
- Ensure correct alignment with the air inlet.
- It can be glued or screwed into position to the studs or the top hats.
- Seal around the edges of the Silenceair and the wall sheeting to ensure no sound can leak out around the unit.

4



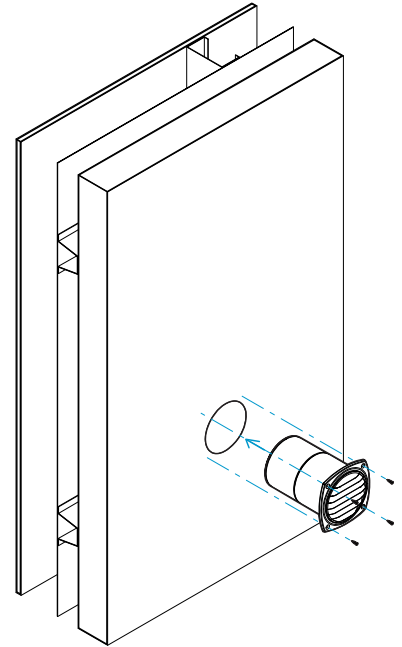
- Once the interior plaster board lining is installed and painted the interior adjustable register can be fitted.

5



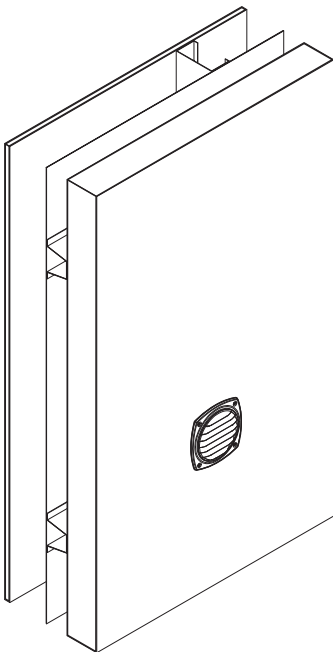
- From the inside, the Silenceair module is completely hidden in the wall cavity.

6



- Once the exterior paintwork is finished, install the colour coordinated exterior weather grille.
- Ensure the grille is installed the right way up.

7



- From the outside, the Silenceair module is completely hidden in the wall.
- All that is visible is the colour coordinated weather louvre.

## NOTES

- Silenceair reserves the right to modify or reissue technical brochures without notice.
- © 2019 Silenceair International Pty Ltd.  
ABN 44 096 462 949
- Date of Publication: February 2019.