

***Your proven answer
to soundproof ventilation
in noise affected buildings.***



100 Diameter Ceiling Diffuser

Product Code: 31-01-03



Best new product
DesignBuild Australasia



Top 10 Eco Product in the USA
Sustainable Building Magazines



Silver Medal
International Salon des Inventions.
Geneve, Switzerland

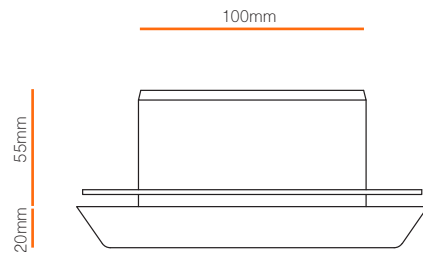
Information

The Silenceair 100 Diameter ceiling diffuser is designed to be installed into standard plasterboard lined ceilings. It is manufactured from high strength ABS for long term strength and durability.

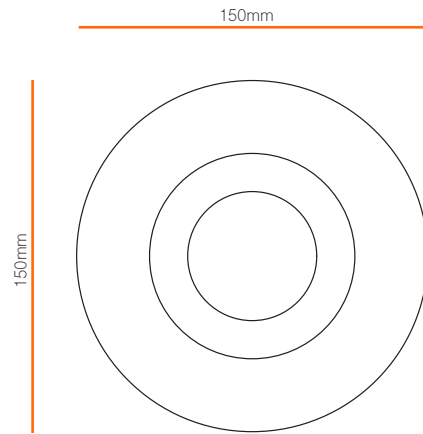
Air flow can be adjusted from total shut off to fully open by simply rotating the central cone.

The diffuser slots neatly into a ceiling mounted Silenceair acoustic ventilator to provide a clear path for acoustically controlled external fresh air to enter a room.

Alternate sizes are available, depending on the air quantities required in the room.

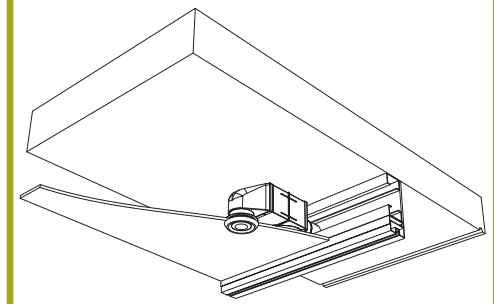


TOP VIEW

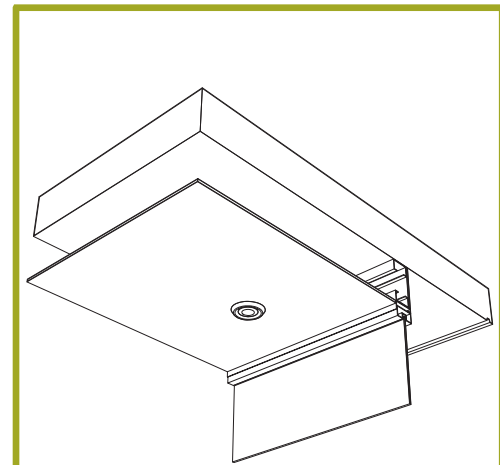


FRONT VIEW

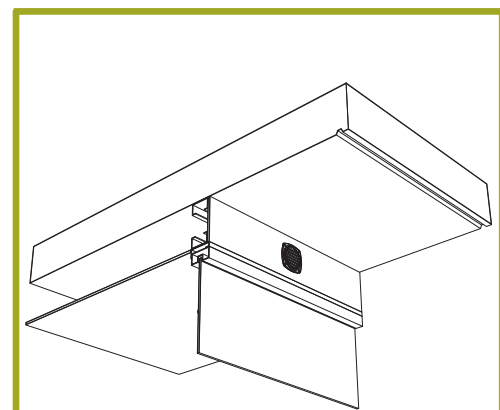
Open Vent Area 5,200mm²
Weight 0.17 kg
Material Recyclable ABS



The weather louvre and storm cup are designed to slot into the air intake of the Silenceair 140mm unit.



The weather louvre is designed to accommodate a variety of external wall thicknesses.

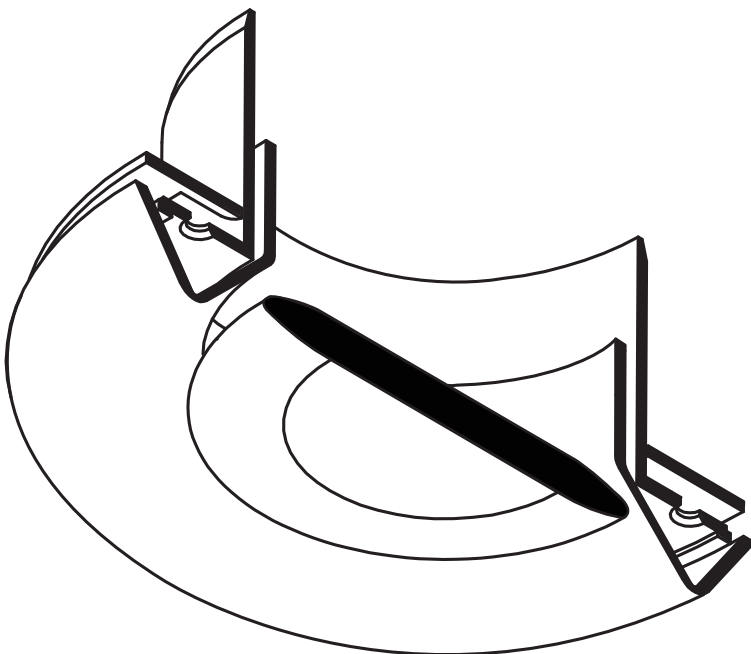


When installed, only the slim lines of the weather louvre are visible, offering a far more aesthetic solution than traditional storm louvres.

Product Code

31-01-03: White

Section View



For more information please contact

www.silenceair.com enquiries@silenceair.com +61 2 9555 7215

Patents and Patents Pending Silenceair is a registered trademark of Silenceair International Pty Limited