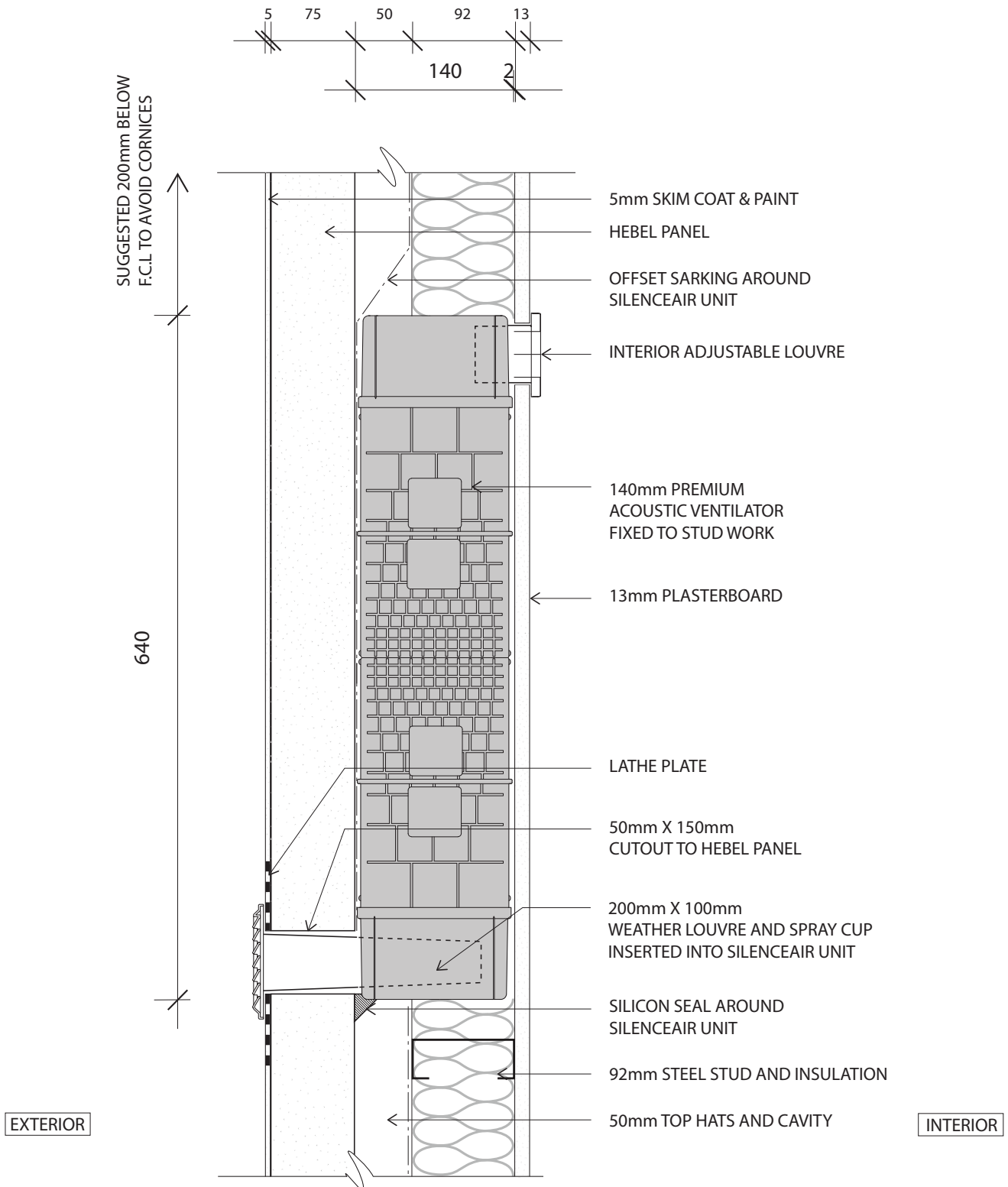


**140mm Premium Acoustic Wall Ventilator
 Installed in Hebel Panel wall system**

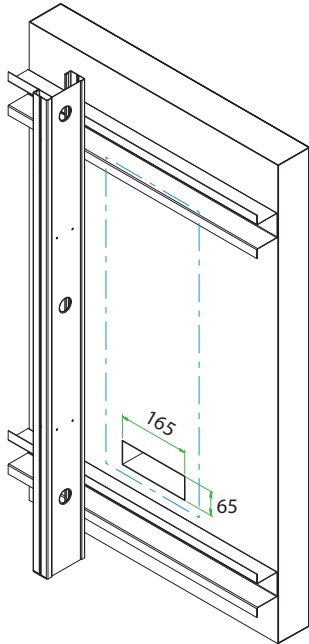


For more information please contact

www.silenceair.com enquiries@silenceair.com +61 2 9555 7215

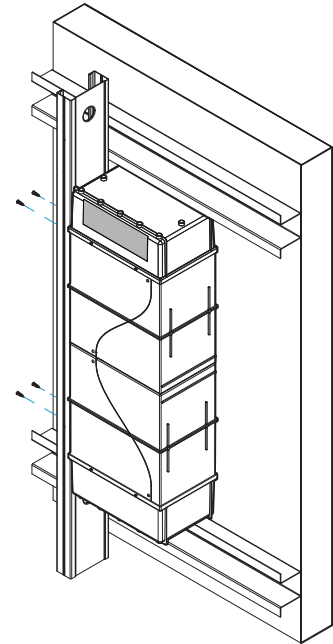
Patents and Patents Pending Silenceair is a registered trademark of Silenceair International Pty Limited

1



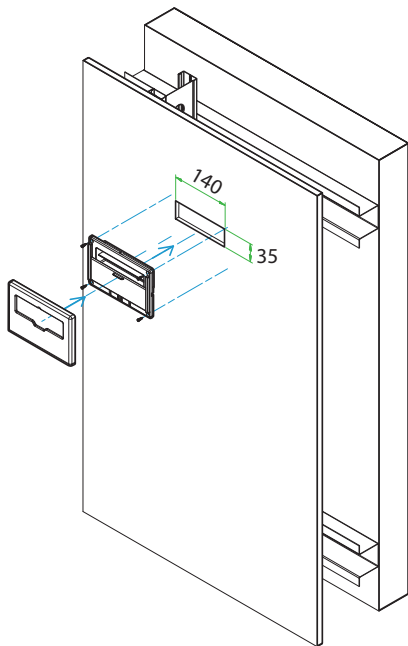
- Mark the chosen location of the Silenceair unit and cut a 150mm wide * 50mm high opening in the Hebel panel for the external weather louvre.

2



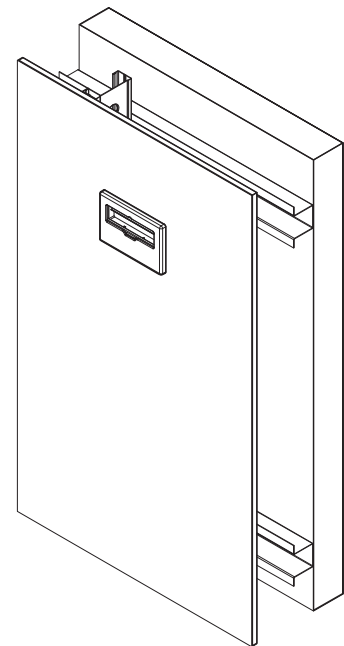
- Screw fix the Silenceair unit into position through the 92mm stud or directly onto the Hebel panel. The unit is robust and can be screwed or glued into position without affecting the performance of the unit.
- Seal around the edges to ensure a close fit to the Hebel panel.

3



- Mark the location of the interior vent opening onto the plasterboard interior lining.
- Fix the interior plasterboard sheet into position.
- Cut a 140mm * 35mm high hole in the plasterboard. Ensure the cut-out in the plaster board lines up with the interior opening in the Silenceair unit.
- Fix the interior adjustable louvre into place on the plasterboard after the wall has been painted.

4



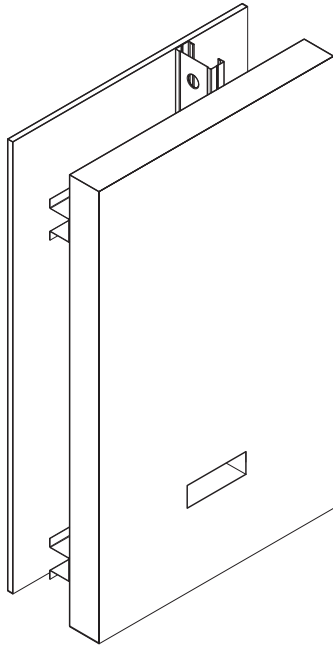
- The Silenceair unit is completely hidden in the wall.
- Only the face plate of the interior adjustable louvre is visible.

For more information please contact

www.silenceair.com @silenceair.com +61 2 9555 7215

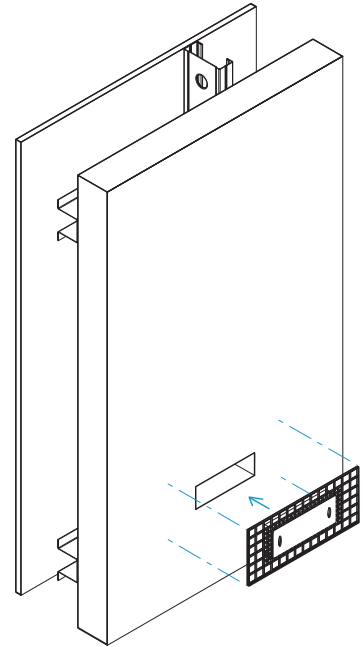
Patents and Patents Pending. Silenceair is a registered trademark of Silenceair International Pty Limited

5



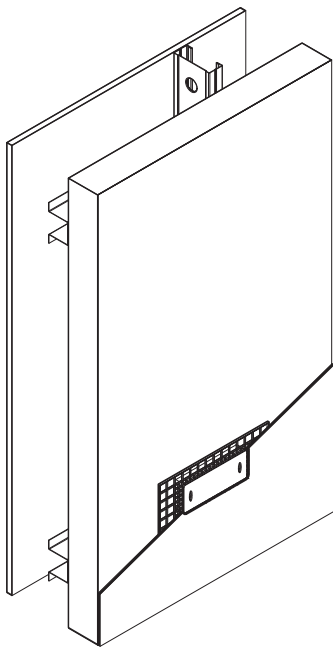
- From the outside, ensure the hole in the panel is clean and clear.

6



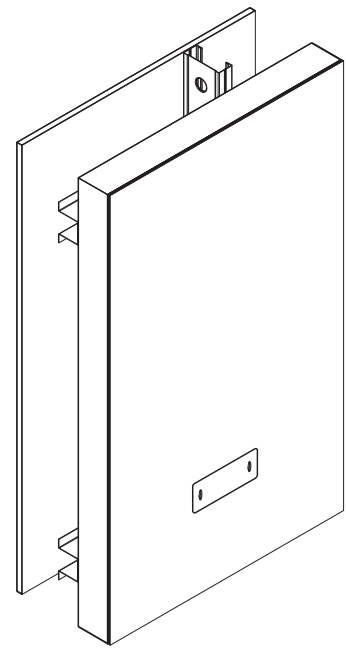
- Fix the Silenceair lathe plate into position. This can be done with screws or glue.
- Check the overall depth of the plate matches the proposed thickness of the external render and paint finish.
- Ensure it lines up accurately with the air inlet of the Silenceair Acoustic ventilator.

7



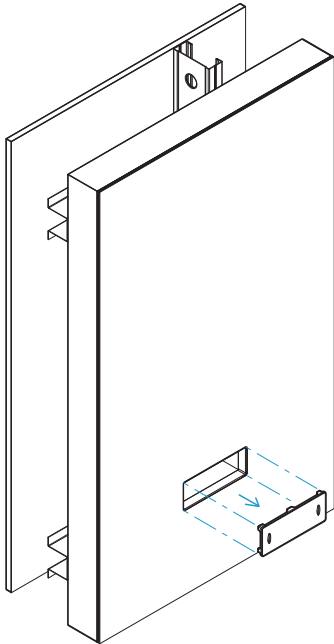
- Render the wall.
- The render should be flush with the coloured protection plate.

8



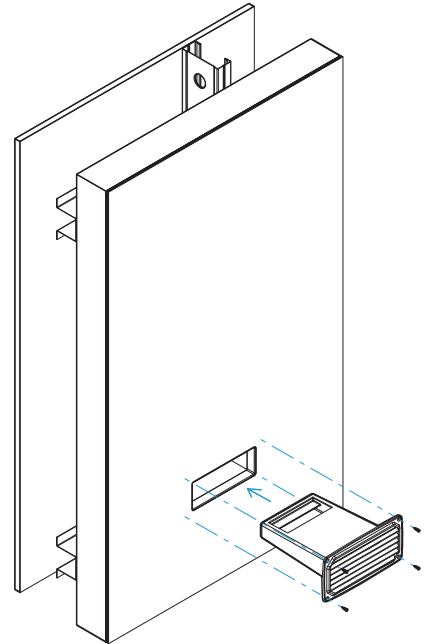
- Paint finish the surface.
- Paint directly over the protection plate. There is no need for painting around or cutting in.

9



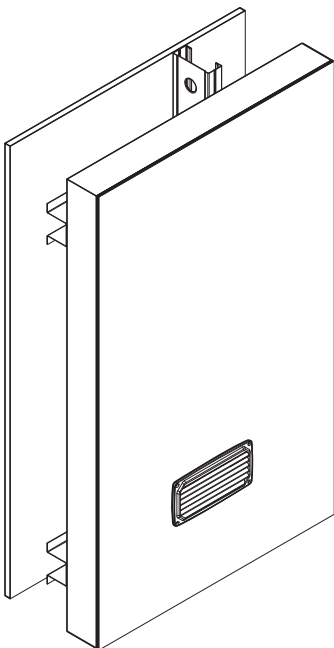
- Once the paint finish is dry, cut around the edge of the protection plate so you do not tear the paint finish when the plate is removed.
- Remove the protection plate.
- Slots have been included in the protection plate to allow the easy insertion of a screwdriver to help ease the plate out.

10



- Insert the pre-painted Silenceair exterior weather louvre and spray cup into the cut-out and ensure the weather louvre and spray cup are correctly inserted into the Silenceair unit.
- Ensure the weather louvre and spray cup are in the correct orientation (Louvres facing down).
- Fix into place.

11



- The Silenceair unit is completely hidden inside the wall cavity. Only the face of the pre-painted weather louvre is visible.
- The weather louvres can be factory painted to colour match the colour scheme of the building. Call us to discuss lead times to ensure there is adequate notice prior to the removal of the scaffolding.

NOTES

- Silenceair reserves the right to modify or reissue technical brochures without notice.
- © 2018 Silenceair International Pty Ltd.
ABN 44 096 462 949
- Date of Publication: May 2019.